

CHRISTIAN RELIGIOUS EDUCATION

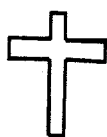
1. We talk to God as our _____.
(parent, creator, neighbour)
2. The father of Jesus was called _____.
3. When I wrong somebody I should say _____.
4. We go to _____ to worship God.
5. When we pray we tell our God our _____.
(needs, excuses, health)

Draw and name four animals God created.

| | |
|-----------------|-----------------|
| 6. _____ | 7. _____ |
| 8. _____ | 9. _____ |



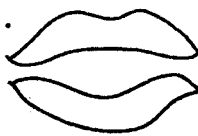


10. Hannah was the mother of _____.
(Elikana, Samuel, Isaac)
11. Obedience is doing what is _____.
(right, wrong, bad)

13. Jesus obeyed his parents.
_____ (Yes or no)
14. Eve was the wife of Adam.
_____ (True or false)
15. God created the world for 5 days. (True or false)
16. God created the sun to give us _____.
(darkness, light, cold)
17. King _____ wanted to kill baby Jesus. (Ahab, Saul, Herod)
18. Christmas is celebrated in the month of _____.
(September, April, December)
19. Emmanuel means _____ with us. (satan, God, Holy Spirit)
20. _____ climbed a tree to see Jesus.
(Lazarus, Zacchaeus, Adam)
21. Lazarus died for _____ days.
(3, 4, 5)
22. Jesus had _____ followers.
(12, 11, 10)
23. _____ and _____
24. _____ and _____

25. Angel _____ announced the birth of Jesus.
(Isaiah, Gabriel, Michael)
26. Name one book in the Bible _____.
27. We clap our _____ to praise God.
28. We cover our books to keep them _____.
(tidy, untidy, bad)
29. God gave us _____ to think.
(head, legs, stomach)
30. We tell God to give us this day our daily _____.
(soda, bread, cake)
31. The first disciples of Jesus were _____.
(farmers, doctors, fishermen)
32. Devil is my _____.
(friend, enemy, parent)
33. I led the Israelites out of Egypt. I am _____.
(Daniel, Abraham, Moses)
34. _____ denied Jesus three times.
(Peter, Judas, John)
35.  Jesus was crucified on a _____.
36. _____ was baptised in River Jordan.
37. Christians worship in the _____.
38. God gave me legs to _____.

39. _____ killed Goliath.
(David, Saul, Herod)
40. Lazarus had _____ sisters. (2, 3, 4)
41. _____ is our first duty at school.
(Playing, Talking, Learning)
42. Who fed 5,000 people? _____
(God, Jesus, Peter)
43. Knock and the door shall be _____.
(closed, opened, shut)

Name parts of the body God gave us.

| | |
|--|---|
| <p>44. </p> <p>_____</p> | <p>45. </p> <p>_____</p> |
| <p>46. </p> <p>_____</p> | <p>47. </p> <p>_____</p> |
| <p>48. </p> <p>_____</p> | |

49. The parents of Jesus lived in _____.
(Bethlehem, Nazareth, Egypt)
50. Who was sold by his brothers as a slave? _____
(Joseph, Abel, Samuel)

ENGLISH
LANGUAGE

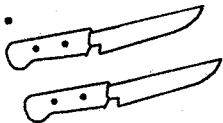
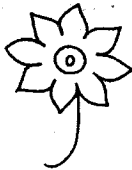

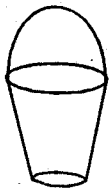
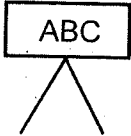
Powered By: www.eeducationgroup.com

| | |
|--------------------------------|--|
| YOUR NAME | |
| NAME OF YOUR SCHOOL | |

Dictation

1. _____
2. _____
3. _____
4. _____
5. _____

Name the pictures

| | |
|--|---|
| 6.  _____ | 7.  _____ |
| 8.  _____ | 9.  _____ |
| 10.  _____ | |

Write in singular or plural

11. Dresses - _____
12. Wife - _____
13. Pencils - _____
14. Babies - _____
15. Water - _____

Fill in the missing letters

16. T ____ _ lor
17. D ____ _ k
18. K ____ t ____ hen

Use 'some' or 'any' to complete the sentences

19. Please have _____ snacks.
20. Do you need _____ help?

21. My brother does not have _____ text books.

22. Give me _____ water.

Add 'ing' to these words

23. Sing - _____

24. Bake - _____

25. Swim - _____

Choose the correct answer

26. _____ is a book.
(This, These)

27. Is _____ your dress?
(that, these)

28. _____ are your books.
(Those, This)

29. Give me that cup. It is _____
(yours, mine, my)

30. This house belongs to us. It is _____.
(mine, ours)

Write the past tense of these words

31. Cook - _____

32. See - _____

33. Write - _____

34. Jump - _____

35. eat - _____

Count the letters and write in words

36. *Carpenter* - _____

37. Mother - _____

38. Book - _____

Complete the sentences

39. How many days are in a week?

_____.

40. If today is Sunday, tomorrow will be

_____.

41. Which is the seventh day of the week?

_____.

42. Many people go to church on _____.

Word Opposite

43. good - _____

44. stand - _____

45. new - _____

46. day - _____

Complete

47. Our school is called

_____.

48. I am _____ years old.

49. A _____ person cannot see.

50. A _____ makes clothes.

KISWAHILI

Powered By: www.eeducationgroup.com

| | |
|---------------------------|--|
| JINA LAKO | |
| JINA LA SHULE YAKO | |

Imla

1. _____
2. _____
3. _____
4. _____
5. _____

Unda maneno

6. Ny - _____
7. Di - _____
8. Mf - _____

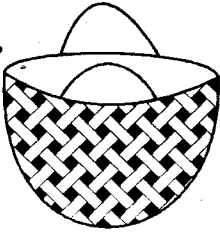
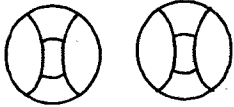
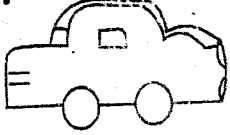

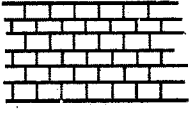
Jaza pengo

9. C ___ up ___
10. Mn ___ am ___
11. B ___ r ___ ka
12. Sh ___ mb ___
13. U ___ e ___

Andika kinyume

14. Usiku - _____
15. Mwangaza - _____
16. Mjomba - _____
17. Nje - _____
18. Kijana - _____

Andika majina ya picha

| | |
|---|--|
| 19.  _____ | 20.  _____ |
| 21.  _____ | 22.  _____ |
| 23.  _____ | |

Andika kwa wingi au umoja

24. Wavulana - _____

25. Mti - _____

26. Miswaki - _____

27. Embe - _____

28. Vyakula - _____

Andika kwa maneno

29. 10 - _____

30. 33 - _____

31. 47 - _____

32. 18 - _____

33. 4 - _____

Kanusha maneno haya

34. Amka - _____

35. Cheza - _____

36. Ruka - _____

37. Lala - _____

Kamilisha salamu hizi

38. Habari - _____

39. Shikamoo - _____

40. Hamjambo - _____

Chora maumbo haya

41.

Duara

42.

Mstatili

43.

Mstari

Andika maneno haya vizuri

44. Ngomla -

45. Sadara -

46. Momdo -

Kamilisha sentensi hizi

47. Wiki moja ina siku ngapi? _____

48. Niko darasa la _____

49. Mimi hutumia _____ kuona.
(mdomo, macho, masikio)

50. Mtoto wa kuku huitwa _____.
(kiota, kifaraŋga, kiyoyo)

KISWAHILI KUSOMA

Powered By: www.eeducationgroup.com

| | |
|---------------------------|--|
| JINA LAKO | |
| JINA LA SHULE YAKO | |

Soma maneno haya

- | | |
|------------|----------------|
| 1. Mkoba | 11. Daftari |
| 2. Dereva | 12. Hamsini |
| 3. Rula | 13. Pazia |
| 4. Mkuki | 14. Rununu |
| 5. Ondoka | 15. Pangoni |
| 6. Siku | 16. Swali |
| 7. Urefu | 17. Mtiifu |
| 8. Cheka | 18. Kipepeo |
| 9. Bahasha | 19. Vyema |
| 10. Nyota | 20. Tingatinga |

Soma sentensi hizi

21. Mimi ni mwanafunzi.
22. Pamoja tuangamize ukimwi.
23. Mtoto amelala salama.
24. Maji inatiririka kutoka juu.
25. Nawa mikono yako kila mara kabla ya kula.

MATHEMATICS

Powered By: www.eeducationgroup.com

| | |
|----------------------------|--|
| YOUR NAME | |
| NAME OF YOUR SCHOOL | |

Write the missing numbers

1. 5, __, 7, __, __, 10

2. 7, __, __, 4, __, 2

3. __, __, 50, __, 70

4. 2, 4, 6, __, 10, __, __

Count and write

5. $8 + 8 =$ _____

6. $12 + 4 =$ _____

7. $0 + 9 =$ _____

8.
$$\begin{array}{r} 12 \\ - 8 \\ \hline \end{array}$$

9.
$$\begin{array}{r} 6 \\ + 9 \\ \hline \end{array}$$

10.
$$\begin{array}{r} 10 \\ 4 \\ + 3 \\ \hline \end{array}$$

11. $13 - 7 =$ _____

12. $19 - 8 - 5 =$ _____

13. $\textcircled{\times}\textcircled{\times}\textcircled{\times}\textcircled{\times}\textcircled{\times}\textcircled{\times} - \textcircled{\times}\textcircled{\times} =$ _____

14. $\star\star + \star + \star\star =$ _____

15. $\square - 3 = 14$

Draw the next two shapes



18. $20 - 9 =$ _____

19.
$$\begin{array}{r} 59 \\ - 14 \\ \hline \end{array}$$

20.
$$\begin{array}{r} 48 \\ - 40 \\ \hline \end{array}$$

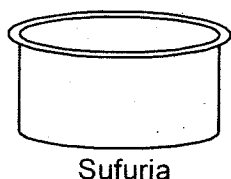
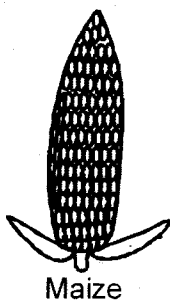
21. $65 - 2 =$ _____

22. Which number comes before 70? _____

23. Which number comes between 19 and 21? _____

24. May, June, _____

25. Which one is rough?



26. Two rectangles have _____ sides.


27. Add 12, 10 and 6 = _____

28. What is forty minus ten? _____

29. $62 + 33 =$

$$\begin{array}{r} 30. \quad 5 \\ \quad 5 \\ + 5 \\ \hline \end{array}$$

$$\begin{array}{r} 31. \quad 40 \\ + 54 \\ \hline \end{array}$$

32. 
= _____ tens.

33. $8 =$ _____ tens and _____ ones.

34. $92 =$ _____ tens + _____ ones

35. _____ = 3 tens and 5 ones.

36. What is the place value of 6 in 76?
= _____

37. $48 = 40 +$ _____

38. $15 =$ _____ + 5

39. Two boys have _____ legs.

40. $8 + \square = 16$

41. $4 + 10 =$ _____

42. Which one will hold more water? _____
(a cup or a tank)

Write in figures

43. Ninety nine = _____

44. Seventeen = _____

45. Fifty = _____

46. Mary had twelve mangoes. She gave her friend three mangoes. How many remained? _____

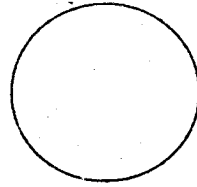
$$\begin{array}{r} 47. \quad 43 \\ \quad +12 \\ \hline \quad \quad \quad \end{array}$$




48. - 10 = 40

Name the shapes



50.



| MATHS | ENGLISH | KISWAHILI | SCIENCE | SOCIAL | C.R.E | I.R.E |
|--------------------------|----------------|---------------------------|----------------------|------------------|---------------|---|
| 6, 8, 9 | 1. house | 1. dawati | 1. bad | 1. family | 1. Creator | 1. Qur'an |
| 6, 5, 3 | 2. elephant | 2. kidogo | 2. cut | 2. medicine | 2. Joseph | 2. Fatiha |
| 30, 40, 60 | 3. make | 3. shuka | 3. roots | 3. hammer | 3. sorry | 3. God |
| 8, 12, 14 | 4. driver | 4. ngamia | 4. horns | 4. jembe | 4. Church | 4. a car |
| 16 | 5. children | 5. sherehe | 5. roots | 5. panga | 5. needs | 5. B |
| 16 | 6. knives | 6. nyumba, | 6. sunny | 6. cooking | 6. | 6. reward |
| 9 | 7. flower | nyoka | 7. calm | 7. timber | 7. | 7. Muhammad |
| 4 | 8. table | 7. dirisha | 8. 4 | 8. traditional | 8. | 8. wahyi |
| 15 | 9. bucket | 8. mfupi, mfereji | 9. river | 9. sun | 9. | 9. fast |
| 0. 17 | 10. blackboard | 9. chupa | 10. rain | 10. rain | 10. Samuel | 10. Bii |
| 1. 6 | 11. dress | 10. mnyama | 11. beak | 11. beautiful | 11. right | 11. Taa |
| 2. 6 | 12. wives | 11. birika | 12. boil | 12. paraffin | 12. Sarah | 12. water |
| 3. 4 | 13. pencil | 12. shamba | 13. wings | 13. razorblade | 13. yes | 13. Mosque |
| 4. 5 | 14. baby | 13. uteo | 14. chameleon | 14. panga | 14. true | 14. Adam and Hawa |
| 5. 17 | 15. water | 14. mchana | 15. farmer | 15. knife | 15. false | 15. Islam |
| 6. | 16. tailor | 15. giza | 16. 3 | 16. axe | 16. light | 16. Alkaaba |
| 7. | 17. desk | 16. shangazi | 17. milk | 17. needle | 17. Herod | 17. Firaun |
| Drawings | 18. kitchen | 17. ndani | 18. tears | 18. snakes | 18. December | 18. Pray to him |
| 18. 11 | 19. some | 18. mzee | 19. air | 19. once | 19. God | 19. Laa ilaha illa Llah |
| 19. 45 | 20. any | 19. kikapu | 20. millipede | 20. food | 20. Zacchaeus | 20.  |
| 20. 8 | 21. any | 20. mipira | 21. warm | 21. clothes | 21. 4 | 21.  |
| 21. 63 | 22. some | 21. gari | 22. storing | 22. shelter | 22. 12 | 22.  |
| 22. 69 | 23. singing | 22. ufagio | 23. yellow | 23. warm | 23. John | 23. stealing |
| 23. 20 | 24. baking | 23. ukuta | 24. meal | 24. buying | 24. James | 24. eating |
| 24. July | 25. swimming | 24. myulana | 25. lemon | 25. bedroom | 25. Gabriel | 25. Mashallah |
| 25. maize | 26. this | 25. mii | 26. water | 26. living room | 26. | |
| 26. 8 | 27. that | 26. mswaki | 27. bean | 27. kitchen | 27. hands | |
| 27. 28 | 28. those | 27. maembe | 28. float | 28. dining room | 28. tidy | |
| 28. 30 | 29. mine | 28. chakula | 29. feathers | 29. farmer | 29. head | |
| 29. 95 | 30. ours | 29. kumi | 30. harmful | 30. 5 | 30. bread | |
| 30. 15 | 31. cooked | 30. thelathini na tatu | 31. fillet | 31. red | 31. fishermen | |
| 31. 94 | 32. saw | 31. arubaini na saba | 32. beef | 32. orange/amber | 32. enemy | |
| 32. 3 | 33. wrote | 32. kumi na nane | 33. pork | 33. green | 33. Moses | |
| 33. 0 tens and 8 ones | 34. jumped | 33. nne | 34. chicken | 34. big towns | 34. Peter | |
| 34. 9 tens + 2 ones | 35. ate | 34. usiamke | 35. green | 35. pedestrians | 35. cross | |
| 35. 35 | 36. nine | 35. usicheze | 36. rubbish pit | 36. forest | 36. Jesus | |
| 36. ones | 37. six | 36. usiruke | 37. broom | 37. Monday | 37. Church | |
| 37. 40+8 | 38. four | 37. usilale | 38. toes, legs | 38. Friday | 38. walk | |
| 38. 10+5 | 39. seven | 38. nzuri / njema | 39. dust | 39. obey | 39. David | |
| 39. 4 | 40. Monday | 39. marahaba | 40. animals | 40. cupboard | 40. 2 | |
| 40. 8 | 41. Saturday | 40. Hatujambo | 41. foot | 41. in front | 41. learning | |
| 41. 14 | 42. Sunday | 41. | 42. sun, electricity | 42. grandfather | 42. Jesus | |
| 42. a tank | 43. bad | 42. | 43. moon, torch | 43. travelling | 43. opened | |
| 43. 99 | 44. sit | 43. Kuchora | 44. stars, fire | 44. road | 44. legs | |
| 44. 17 | 45. old | 44. mlango | 45. air | 45. learn | 45. hands | |
| 45. 50 | 46. night | 45. darasa | 46. towel | 46. uniforms | 46. mouth | |
| 46. 9 | 47. | 46. mdomo | 47. wax | 47. an extended | 47. eyes | |
| 47. 55 | 48. | 47. saba | 48. rain | 48. kitchen | 48. nose | |
| 48. 50 | 49. blind | 48. kwanza | 49. calm | 49. houseflies | 49. Nazareth | |
| 49. rectangle | 50. tailor | 49. macho | 50. cloudy | 50. valley | 50. Joseph | |
| 50. circle | | 50. kifaranga | | | | |

ENGLISH READING

| | |
|----------------------------|--|
| YOUR NAME | |
| NAME OF YOUR SCHOOL | |

Powered By: www.eeducationgroup.com

Read the words

- | | |
|-----------|---------------|
| 1. Baby | 11. Floor |
| 2. Pink | 12. These |
| 3. Mine | 13. Wheel |
| 4. Head | 14. Visitor |
| 5. Shelf | 15. Scissors |
| 6. Nice | 16. Butcher |
| 7. Glass | 17. Present |
| 8. Open | 18. Breakfast |
| 9. Duster | 19. Assembly |
| 10. Town | 20. Crocodile |

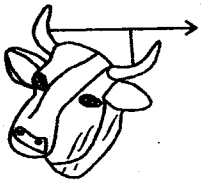
Read these sentences

21. The fish is in the water.
22. When are you coming back?
23. A baby cat is called kitten.
24. The plate is on the table.
25. It is raining I have to carry an umbrella.

SCIENCE

| | |
|----------------------------|--|
| YOUR NAME | |
| NAME OF YOUR SCHOOL | |


Powered By: www.eeducationgroup.com

1. Clean toes do not have _____ smell.
(good, bad, pleasant)
2. We should _____ our nails when long.
(cut, clean, bite)
3. The _____ of the plant grow inside the roots. (leaves, roots, stem)
4.  These are called _____.
5. We eat the _____ of a carrot plant.
6. People get thirsty on a _____ day. (rainy, sunny, cold)
7. When there is no wind we say the weather is _____. (cloudy, calm, windy)
8. A butterfly has _____ wings.

Name two sources of water

9. _____

10. _____

11.  This is a _____ of a bird.

12. We must _____ water before drinking.
(warm, boil, sieve)

13. Animals without _____ cannot fly.
(legs, wings, feathers)

14. A _____ changes its colour.
(snail, rat, chameleon)

15. A person who grows crops and keeps animals is called a _____.

16. A true insect is divided into _____ body parts. (4, 2, 3)

17. Drinking a lot of _____ makes our teeth strong.
(water, porridge, milk)

18. If someone is crying
_____ comes out.
(blood, mucus, tears)

19. Wind is moving
_____.

20. A _____ has many
legs.



(earthworm, millipede,
snake)

21. We should wash our
utensils with _____
water.
(warm, cold, dirty)

22.  A bucket is
used for _____


water. (boiling, storing,
drinking)

23. A ripe banana is
_____ in colour.

24. We should brush our
teeth after every
_____.
(day, week, meal)

25. A _____ has sour
taste.
(banana, sugar, lemon)

26. Which one does not
smell? _____
(Paraffin, Perfume,
Water)

27.  This is a
_____ leaf.
(maize, banana, bean)

28. A paper will _____
in water. (sink, float)

29. The body of a bird is
covered with _____.
(skin, feathers, scales)

30. A mosquito is _____
to us. (useful, harmful)

Match animals and the
meat we eat

31. Fish pork

32. Cow chicken

33. Pig fillet

34. Hen beef

35. Unripe tomato is _____ in colour.

36. All rubbish should be put in the _____.

37. We clean our school compound using a _____.
(stick, broom, panga)

38. Jiggers are found in dirty _____.

39. Dry soils has a lot of _____.
(dust, water, mud)

40. Meat, milk, eggs are food from _____.
(cows, animals, plants)

41. When you step on the soil you make a _____ print. (finger, leg, foot)

Name three sources of light

42. _____

43. _____

44. _____

45. When we blow into a balloon we fill it with _____.
(water, wind, air)

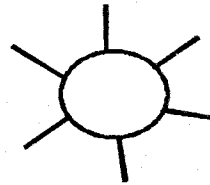
46. We should not share _____.
(books, towel, food)

47. The dirt we remove from our ears is called _____.
(mucus, wax, tears)

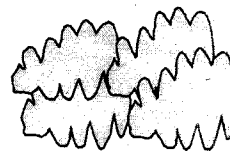
48. Big dark clouds bring _____.
(sun, rain, wind)

The weather is

49.



50.



SOCIAL STUDIES

Powered By: www.eeducationgroup.com

| | |
|----------------------------|--|
| YOUR NAME | |
| NAME OF YOUR SCHOOL | |

1. A _____ is group of people related to each other.
(church, family, school)

2. We should not share _____ with our friends in school.
(medicine, books, pencils)

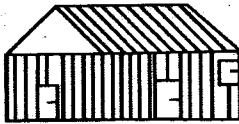
Name three tools kept in a store

3. _____

4. _____

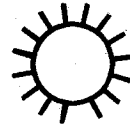
5. _____

6. Fire is used for _____.

7.  The wall of this house is made of _____.
(mud, stones, timber)

8. A manyatta is a _____ house.
(modern, traditional, storey)

9. Houses protect us from



10. and



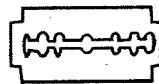
11. Flowers make our home

_____.
(ugly, beautiful, dirty)

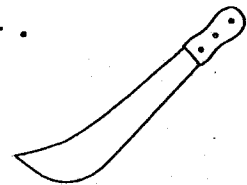
12. At home we use chemicals like _____.
(water, paraffin, tea)

Name the sharp objects which can harm us

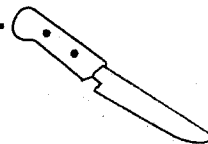
13.



14.



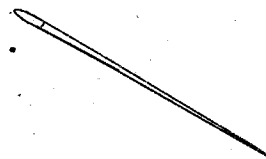
15.



16.



17.



18. We cut the tall grass around our home to prevent _____ (lion, snakes, birds)

19. We celebrate our birthdays _____ in a year. (once, twice)

Name three basic needs of a family

20. _____

21. _____

22. _____

23. Clothes keep our bodies _____ (healthy, warm, cold)

24. Our parents get food by _____. (stealing, buying, transporting)

Match the following

25. Sleeping room dinning room

26. Sitting room kitchen

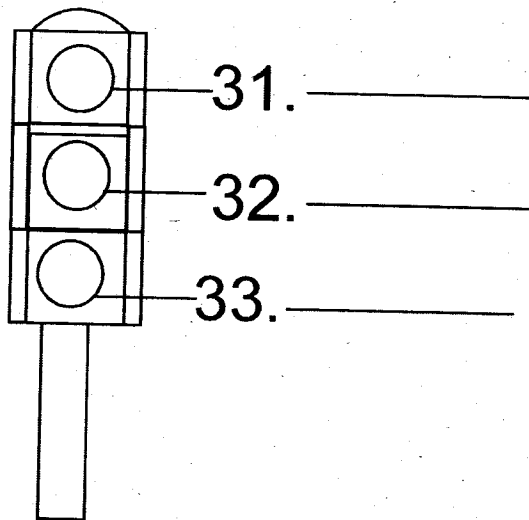
27. Cooking area bedroom

28. Eating room living room

29. A _____ grows crops and keep animals.

30. We go to school for _____ days in a week. (5, 6, 7)

Name the colours of a traffic light



34. Traffic lights are found in _____ (villages, big towns, small towns)

35. _____ are people who walk on foot along a road. (passengers, pedestrians, cyclists)

36. Many trees make a _____

37. We raise the flag on _____ and _____

38. _____

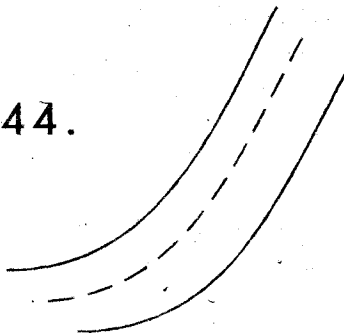
39. We should _____
class rules.
(disobey, obey, ignore)

40. Our teacher keeps our
textbooks in the _____.

41. Pupils who do not see well
should sit _____.
(behind, in front, far)

42. My mother's father is my
_____.

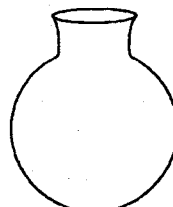
43. Which one is not a family
celebration? _____.
(Birthdays, Wedding,
Travelling)

44.  This is a
_____.

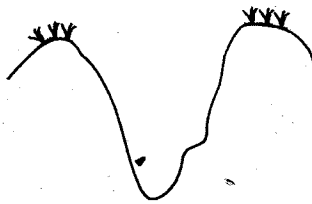
45. A child has a right to
_____.
(learn, fight, work)

46. The school _____
makes us look different
from pupils of other
schools. (badge,
uniforms, motto)

47. _____ family is
made up of
grandparents, uncles
and aunts,
(A nuclear, An extended,
A single parent)

48.  This item
is found in
the
_____.

49. Dirty utensils attract
_____.
(mosquitoes, houseflies,
jiggers)

50.  This is a
_____.
(hill, valley, river)