



**HIGH FLYER
SERIES
007**

KCPE TRIAL EXAMINATION

STANDARD 8 – 2014

COMPOSITION

Time: 40 minutes

Powered By: www.eeducationgroup.com

YOUR INDEX NUMBER	
YOUR NAME	
NAME OF YOUR SCHOOL	

READ THESE INSTRUCTIONS CAREFULLY

1. In the spaces provided above write your full Index Number, Your Name and Name of your school.
2. Now open this paper read the composition subject carefully and write your composition on the lines provided.

This Question Paper consists of 4 printed pages.

For tips on how to write best compositions, get a copy of "HIGH FLYER SERIES COMPOSITION"



Branded Eagle is a mark of genuine High Flyer Series Exams and Books. Beware of imitations.

© High Flyer Series, 2014 Tel. 0723 499860

TURN OVER

"For better grasp of the subject get yourself a copy of HIGH FLYER SERIES STD. 8 ENGLISH OR
HIGH FLYER SERIES STD. 8 ENCYCLOPAEDIA.

Below is the beginning of a story. Complete it making it as interesting as possible.

After shaking hands with the visitors, I ushered them to the sitting room where my doting parents were. They were

.....

.....

.....

HIGH FLYER
SERIES
007

Time: 40 minutes

.....

.....

YOUR INDEX
NUMBER

YOUR NAME

NAME OF SCHOOL

.....

.....

PLEASE READ INSTRUCTIONS CAREFULLY

.....

.....

This Question Paper consists of 4 printed pages

.....

.....

.....

.....

.....

.....



KCPE TRIAL EXAMINATION STANDARD EIGHT – 2014 ENGLISH

Time: 1 hour 40 minutes

Powered By: www.eeducationgroup.com

READ THESE INSTRUCTIONS CAREFULLY

1. You have been given the question booklet and a separate answer sheet. The question booklet contains 50 questions.
2. Do any necessary rough work in this booklet.
3. When you have chosen your answer, mark it on the **ANSWER SHEET**, not in the question booklet.

HOW TO USE THE ANSWER SHEET

4. Use an ordinary pencil only.
 5. Make sure that you have written on the answer sheet
- YOUR INDEX NUMBER**
YOUR NAME
NAME OF YOUR SCHOOL
6. By drawing a **dark line** inside the correct numbered boxes mark your full Index Number (i.e. School Code Number and the three-figure Candidate's Number) in the grid near the top of the answer sheet.
 7. Do not make any marks outside the boxes.
 8. Keep your answer sheet as clean as possible and do not fold it.
 9. For each of the Question 1 – 50 four answers are given. The answers are lettered A, B, C and D. In each case only **ONE** of the four answers is correct. Choose the correct answer.
 10. On the answer sheet the correct answer is to be shown by drawing a **dark line** inside the box in which the letter you have chosen is written.

EXAMPLE

Choose the alternative which is the opposite of the underlined word.

20. The principal was called when a large group of boys got out of hand. This means the boys
- A. became uncontrollable
B. handed over punishment
C. used abusive language
D. started a fire

The correct answer is **A**

On the answer sheet:

4 [A] [B] [C] [D] 14 [A] [B] [C] [D] 20 [A] [B] [C] [D] 34 [A] [B] [C] [D] 44 [A] [B] [C] [D]

In the set of boxes numbered 20, the box with the letter **A** printed in it is marked.

11. Your **dark line** **MUST** be within the box.
12. For each question **ONLY ONE** box is to be marked in each set of four boxes.



Branded Eagle is a mark of genuine High Flyer Series Exams and Books. Beware of imitations.

© High Flyer Series, 2014

Tel. 0723 499860

TURN OVER

Read the passage below. It contains blank spaces numbered 1 – 15, choose the BEST answer from the choices given.

Farmers see millipedes as _____ 1 _____ where they eat leaves and stalks of vegetables and _____ 2 _____ plants. However, millipedes can be very _____ 3 _____ to farmers. By eating dead stalks and _____ 4 _____ leaves, they _____ 5 _____ the process of manure formation. As they _____ 6 _____ into the soil, they _____ 7 _____ air to become mixed with soil which is good for farming. As strange as it may _____ 8 _____, some people keep millipedes as _____ 9 _____. If you want to keep millipedes as pets, the _____ 10 _____ thing you need is _____ 11 _____ soil put in a big container _____ 12 _____ a glass tank. A glass tank is good because it enables you to look at and _____ 13 _____ at the millipedes' engineering _____ 14 _____ as they make criss-crossing _____ 15 _____ inside the soil.

- A**
1. pests
 2. another
 3. harmful
 4. decaying
 5. hasten
 6. plough
 7. bring
 8. brought
 9. pests
 10. least
 11. dump
 12. or
 13. marvel
 14. game
 15. roads

- B**
1. pests
 2. some
 3. useful
 4. big
 5. stop
 6. borrow
 7. remove
 8. sound
 9. pests
 10. first
 11. dumb
 12. of
 13. arrive
 14. skills
 15. lines

- C**
1. insects
 2. every
 3. terrible
 4. great
 5. bring
 6. burrow
 7. enable
 8. bought
 9. mixers
 10. most
 11. damp
 12. off
 13. observe
 14. sport
 15. tunnels

- D**
1. poor
 2. other
 3. dangerous
 4. growing
 5. digest
 6. plung
 7. drain
 8. list
 9. insects
 10. only
 11. damb
 12. also
 13. aim
 14. race
 15. dots

In questions 16 to 18, choose the BEST answer to replace the underlined word.

16. Gatua spent most of his time doing dangerous tasks.

A. Tiring	B. complicated
C. hazardous	D. delicate
17. Kaminjui was informed that the meeting had been postponed.

A. put off	B. put away
C. put out	D. put up
18. Separating this mixture will be quite slow and laborious.

A. dangerous	B. boring
C. taxing	D. unpleasant

In questions 19 to 21, choose the alternative that mean the same as the given sentence.

19. Hardly had the lorry left when the accident happened _____ .

A. The accident occurred because the lorry left
B. The lorry left and the accident occurred immediately on the road

- | |
|--|
| C. The accident happened as the lorry was moving on the road |
| D. The accident happened because the lorry had left |
20. Whenever Makrine danced, the fans cheered.

A. The fans cheered after Makrine danced
B. Makrine always danced as fans cheered
C. The fans always cheered before Makrine danced
D. Every time Makrine danced, the fans cheered
21. Abi is very lazy. Nevertheless, she is very helpful.

A. Although Abi is very lazy, she is very helpful
B. Abi is very lazy and very helpful
C. Abi is very lazy but never quite helpful
D. Because Abi is very lazy she is very helpful

- C. Has moderated waste disposal management
 D. Has overwhelmed waste disposal management
27. According to the passage the main threat is the _____.
- A. ever increasing population
 B. high level of activities and consumption
 C. effective and efficient system of garbage collection
 D. high levels of garbage generated due to population growth.
28. According to the passage it is FALSE to state that _____.
- A. waste disposal management need a lot of improvement
 B. polythene bags used to wrap goods pose a threat to the environment
 C. population growth has increased garbage generation
 D. waste disposal management is less hazardous in urban areas
29. In the first paragraph, a solution has been named, which is it?
- A. Efficiency in garbage management must be put in place.
 B. Garbage has been disposed within and outside estates
 C. Items need to be wrapped in polythene bags
 D. Population growth has generated a lot of waste
30. The words disposed of have been underlined, its opposite in meaning is _____.
- A. deposited B. consumed
 C. retained D. generated'
31. According to the passage, the greatest amount of garbage is dumped in _____.
- A. Sites B. farms
 C. alley ways D. streets
32. The word deposited is underlined, it means same as _____.
- A. stored B. thrown
 C. brought D. retained
33. According to the passage, extremely warm temperatures _____.
- A. Poses such a health risk
 B. Become a nuisance to urban areas
- C. Speed up decomposition of garbage
 D. Helps in garbage disposal management
34. Most residents in Nairobi burn waste because _____.
- A. It is the best way to dispose of waste
 B. It is environmental friendly
 C. It is not environmental friendly
 D. Authorities have failed to dispose of waste
35. According to the passage, it is FALSE to say that _____.
- A. Waste disposal need to be effective in all areas
 B. Waste disposal in most urban areas has been effective
 C. Waste disposal in urban areas need to be improved
 D. Waste disposal has been overwhelmed by population growth.
36. The worst challenge of polythene is experienced when they _____.
- A. wrap shopping
 B. block the sewer
 C. decay during disposal
 D. are incinerated
37. To solve waste disposal management, the following measures can be put in place, use of _____.
- A. incineration, usable bags, recycling and burning
 B. recycling, reusable bags, alleyways and compost
 C. reusable bags, recycling, compost and incineration
 D. compost, usable bags, burning and incineration
38. If put in place, efficient and effective garbage management can _____.
- A. Create job opportunities
 B. Create environmental problems
 C. Create serious health problems
 D. Increase health problems
39. The BEST title for this passage is _____.
- A. solutions to environmental challenges
 B. effectiveness of garbage management
 C. challenges and solutions to garbage disposal
 D. cooperative garbage collection

Read the passage below and answer questions 40 to 50

They reached our highland through the Savannah all the way from the coast. Fascinated by the beauty given to our land by mother nature, they resolved to make a home in his wonderful jungle. Our water masses, valleys, virgin forests and mountains impressed them a great deal. The pleasant climatic conditions and vegetation propelled their lust for taking the land to be their own at any cost. They used their superior weapons to drive away the natives and they accomplished their wish with ease. Our people had no choice but to leave for infertile dry lands. In a span of one year, scores of foreigners criss-crossed our land.

Agricultural activities ensued and in a while, our people were subjected to forced labour. To support agriculture and other economic activities, stores were established to supply them with goods.

Roads and water supply were put in place as security of settlers was set up. Christianity was introduced to tame Africans. Traditional practices of Africans was watered down and Western culture was praised. Africans were to abandon their ways and humbly follow their masters. There was need for artisans who would be used in building constructions and agriculture. Native Industrial Training Department, now Kabete Training Institute, would provide artisans in masonry, carpentry, mechanics, plumbers and blacksmiths.

To provide skilled workers in agriculture and housekeeping, Jeans school, current Kenya Institute of Administration, at Kabete, was established. This institutions were to train Africans so that the European could live comfortable. The selfish masters established learning centres that could offer quality education to their children.

Prince of wales "B" now the Nairobi school catered for boys while Prince Wales School "G" now the Kenya High catered for Girls. They also had to establish Prince of Wales Junior school "G" now the Kenya High catered or girls. They also had to establish prince of Wales Junior school to educate their young sons and daughters. What is now the Nairobi Primary school. In 1956, the settlers established the Royal Technical College of East Africa, the current University of Nairobi, to offer advanced education and training in technology and commerce to their sons and daughters. The college opened its door with a population of two hundred and fifteen students. At the age of fifty seven, its student population has sky rocketed to over sixty eight thousand making it one of the largest universities in Africa. It has the highest number of scholars in the country. Over three hundred and fifty professors and another thirteen thousand highly qualified and competent members of teaching staff are associated with the former Royal Technical College of East Africa.

University of Nairobi is the best in East and Central Africa and is the nineeth best in Africa competing with universities in Egypt and South Africa. It is globally recognized and enjoys international networking and participate in knowledge exchange. It is linked to over two hundred international institutions around the world. It has three hundrd and fifty academic programmes which are classified under humanities and social sciences, biological and physical sciences, architecture and engineering, agriculture and veterinary sciences, education and external studies and health sciences. To ensure efficiency is maintained the courses are offered through six colleges. Through its twelve well established extra - mural centres and two satellite campuses in Kisumu and Mombasa it has reached its clients.

Like a spring, the Royal Technical College of East Africa allowed guest for learning trickle to our people. This guest has brought about setting up of a good number of both public and private universities that offer quality and recognized certificates, diplomas and degrees. Kenyans have no reasons for not expanding their learning through the ever increasing learning institutions.

40. The visitors reached the highlands _____.
- A. From the savannah through the coast
 - B. From the coast via the savannah
 - C. Between the coast and the savannah
 - D. Between the savannah and the coast

41. According to the passage it is TRUE to state that _____.

- A. Visitors settled in barren land
- B. Locals and foreigners settled peacefully
- C. Locals were evicted from their homes
- D. Locals replaced the foreigners

42. In the passage, the word forced has been underlined, its opposite is _____.

- A. Voluntary B. difficult
C. industrious D. labourious
43. The foreigners were attracted to the land by _____.
- Beauty of land, mother nature, valleys and climate
 - Climate, wonderful jungle, water masses and infertile land
 - Virgin mountains, wonderful jungle, valleys and mother nature
 - Fertile land, nice climate, water masses, mountains, mountains and valleys
44. The need for skilled labour resulted to establishment of _____.
- Roads and water supply
 - Christianity for training skilled labour
 - Prince of Wales schools
 - Jeans school and Native Industrial Training Department
45. According to the passage, it is FALSE to state that _____.
- Prince of Wales schools were set up to educate the foreigners
 - Jean school was set up to provide agricultural and domestic skilled workers.
 - The Royal Technical college of East Africa was established to educate children of colonial ancestors
 - Prince of wales school and the now Nairobi university were established to educate all students who wished.
46. When university of Nairobi was started it had _____.
- About two hundred and fifteen students
 - More than two hundred and fifteen students
 - Over sixty eight thousand students
 - Over thirteen thousand students
47. University of Nairobi is _____.
- The best university in Africa
 - As good as the best universities in Egypt and south Africa
 - Internationally recognized for quality education
 - The only public university in Kenya
48. According to the passage UON has maintained efficiency by _____.
- Being globally recognised
 - Offering and grouping courses in six colleges
 - Networking and exchanging knowledge
 - Competing with other universities
49. University of Nairobi's success in offering quality education triggered _____.
- Recognized certificates, diplomas and degrees
 - Learning of growth universities in Kenya
 - The royal Technical Training College of East Africa.
 - Setting up of more public and private universities
50. The best title of this passage is _____.
- The genesis of university education in Kenya
 - The best university in Africa
 - The favourite university in the world
 - The global university of Kenya



**HIGH FLYER
SERIES
007**

JARIBIO LA MTHANI WA KGPE

DARASA LA NANE – 2014

INSHA

Muda: Dakika 40

Powered By: www.eeducationgroup.com

NAMBA YAKO YA MTHANI	
JINA LAKO	
JINA LA SHULE YAKO	

SOMA MAAGIZO HAYA KWA MAKINI

1. Kwenye nafasi zilizoachwa hapo juu andika namba yako kamili ya mthani, jina lako na jina la shule yako.
2. Sasa fungua karatasi hii, soma kichwa cha insha kwa makini na uandike insha yako kwenye nafasi zilizoachwa.

Kijitabu hiki kina kurasa nane zimepigwa chapa.

**Kwa maelezo Mufti ya mbinu za uandishi wa insha pata nakala yako ya
"HIGH FLYER SERIES INSHA SHESHE"**



Branded Eagle is a mark of genuine High Flyer Series Exams and Books. Beware of imitations.

© High Flyer Series, 2014 Tel. 0723 499860

Fungua kurasa

Andika Insha kuhusu mlipuko wa bomu mjini. Iwe ni insha ya kuisimua na iandikwe kwa hati nadhifu. Isipungue ukurasa mmoja unusu.

JARIBIO LA MTHANI WA KOPÉ

DARASA LA NANE - 2014

INSHA

HIGH FLYER
SERIES
007

Muda: Dakika 40

NAMBA YAKO

YA MTHANI

JINA LA

JINA LA

SHULE YAKO

SOMA MAAGIZO HAYA KWA MAKINI

Kwa naye nafasi zilizochowa hapa juu andika namba yako kamili ya mthani. Ikiwa na jina la shule yako. Hizi nafasi karatasi hii, somo kichwa cha nafasi kwa mthani wa mthani. Namba yako kwa naye nafasi zilizochowa.

Andika hiki kina kina kwa mthani wa mthani.

Kwa maagizo hizi ya mthani za mthani wa mthani hata nafasi yako. HIGH FLYER SERIES INSHA SHEETS

Printed page is a mark of genuine High Flyer Series Exam and books. Beware of imitations.

High Flyer Series, 2014 Tel. 0753 498800 Pinda Kwa

JARIBIO LA MTHANI WA KCPE

DARASA LA NANE – 2014

LUGHA YA KISWAHILI

Muda: Saa 1 dakika 40


**HIGH FLYER
SERIES
007**

SOMA KWA MAKINI MAAGIZO YAFUATAYO

1. Umepewa kijitabu hiki cha maswali na karatasi ya kujibu. Kijitabu hiki kina maswali 50.
2. Ikiwa utataka kuandika chochote ambacho si jibu andika katika kijitabu hiki.
3. Ukisha chagua jibu lako lionyeshe katika **KARATASI YA MAJIBU** na wala sio katika kijitabu hiki cha maswali.

JINSI YA KUTUMIA KARATASI YA MAJIBU

4. Tumia penseli ya kawaida.
5. Hakikisha ya kwamba yafuatayo yameandikwa katika karatasi ya majibu.

NAMBA YAKO YA MTHANI

JINA LAKO

JINA LA SHULE YAKO

6. Kwa kuchora kistari katika visanduku vyenye namba zinazokuhusu, onyesha namba yako kamili ya mthani (yaani namba ya shule na zile namba tatu za mtahiniwa) katika sehemu iliyotengwa mwanzo wa karatasi ya majibu.
7. Usitie alama zozote nje ya visanduku.
8. Iweke safi karatasi yako ya majibu.
9. Kwa kila swali 1 – 50 umepewa majibu manne. Majibu hayo yameonyeshwa kwa herufi A, B, C, D. Ni jibu **MOJA** tu kati ya hayo manne ambayo ni sahihi. Chagua jibu hilo.
10. Kwenye karatasi ya majibu, jibu sahihi lionyesha kwa kuchora kistari katika kisanduku chenye herufi uliyochagua kuwa ndilo jibu.

MFANO

Katika kijitabu cha maswali:

21. Tumia kiwakilishi 'amba' kujaza mwanya.
Mtoni _____ anateka maji ni kuchafu.
A. ambapo B. ambamo
C. ambao D. ambako

Jibu sahihi ni **D**

Katika karatasi ya majibu

1 [A] [B] [C] [D] **11** [A] [B] [C] [D] **21** [A] [B] [C] [D] **31** [A] [B] [C] [D] **41** [A] [B] [C] [D]

Katika visanduku vinavyoonyesha majibu ya swali namba 21, kisanduku chenye herufi **B** ndicho kilichochoywa kistari.

11. Chora kistari chako vizuri. Kistari chako kiwe cheusi na kisijitokeze nje ya kisanduku.
12. Kwa kila swali, chora kistari katika kisanduku kimoja tu kati ya visanduku vine ulivyopewa.



Branded Eagle is a mark of genuine High Flyer Series Exams and Books. Beware of imitations.

© High Flyer Series, 2014

Tel. 0723 499860

Fungua Kurasa

Jaza nafasi 1 -15 kwa jibu bora zaidi

Kwa _____ 1 _____ miongo minne _____ 2 _____ Jalali amenijalia kuishi _____ 3 _____ duniani, nimejaribu kuzichunguza nyendo za binadamu bila _____ 4 _____. Kila ninaloshuhudia huniacha _____ 5 _____ mkururo _____ 6 _____ maswali bila kupata jibu _____ 7 _____ huku kuwaza na kuwazua _____ 8 _____ kunakochangia kichwa changu kufanya mvi hata kabla ya _____ 9 _____.

A	B	C	D
1. takriban	zaidi	labda	takiribani
2. ambazo	ambayo	ambako	ambao
3. hapo	huku	humu	huko
4. kuvua dafu	kufa ganzi	kugonga mwamba	kufua dafu
5. kando ya	katika	pamoja na	kati ya
6. wa	ya	la	za
7. Minghairi	Hakika	Labda	Ijapokuwa
8. ndivyo	ndio	ndiko	ndikwo
9. kuyaaga makamo	kuhitimu makamo	kubaleghe	kuona makamo

Kila mara mtu anapomeza _____ 10 _____ au _____ 11 _____ yoyote yenye uwezo wa kulisimua _____ 12 _____, mtu huyo _____ 13 _____ kiasi Fulani. Bangi, miraa na pombe _____ 14 _____ mnato ambao humzuzua _____ 15 _____.

10. matembe	matebe	tembe	tebe
11. dawa	madawa	ndonge	mandonge
12. mbongo	bongo	ubongo	umbongo
13. huadhiri	huathiri	huathirika	huadhirika
14. ina	zina	wana	lina
15. mtumishi	mtumizi	mtumiaji	atumiaie

16. Chagua sentensi *iliyoafikishwa* ipasavyo.
- Mbona huamini nisemayo, 'Omari alimwuliza.'
 - Mbona huamini nisemayo? Omari alimwuliza.
 - 'Mbona huamini nisemayo?' Omari alimwuliza.
 - 'Mbona huamini nisemayo!' Omari alimwuliza.

17. **Andika wingi wa sentensi ifuatayo.**
Seremala alifagia karakana kwa ufagio uliochakaa.
- Seremala walifagia karakana kwa fagio zilizoachakaa
 - Seremala walifagia makarakana kwa vifagio vilivyochakaa
 - Maseremala walifagia karakana kwa fagio zilizoachakaa
 - Maseremala walifagia makarakana kwa fagio zilizoachakaa

18. **Kamilisha methali ifuatayo ipasavyo.**
_____ ingawa kidonda.

- Kionyeshe kipya
- Kipya kinyemi
- Kitu kipya
- Usifurahie kipya

19. Nyoka huluza naye tembo _____.
- huluza
 - huroroma
 - huweweseka
 - hutetea

20. **Chagua kielezi katika sentensi ifuatayo.**
Nguo yake imetumbukia majini.
- nguo
 - yake
 - imetumbukia
 - majini

21. Maneno haya yataorodheshwa katika kikundi gani?
Ndani ya, nyuma ya, katikati ya
- vihisishi
 - viwakilishi
 - vionyeshi
 - vihusishi

22. Jibu la salamu Makiwa ni _____.
- A. sawa tu B. yamepita
C. si kitu D. pia nawe.
23. **Andika sentensi ifuatayo kwa kutumia amba-**
Kisa nilichoshuhudia ni cha kusisimua.
- A. Kisa ambacho nilichoshuhudia ni cha kusisimua
B. Kisa ambayo niliyoshuhudia ni ya kusisimua
C. Kisa ambacho nilishuhudia ni cha kusisimua
D. Kisa ambayo nilishuhudia ni ya kusisimua
24. Bainisha **matumizi ya KI** katika sentensi ifuatayo
Wanafunzi wa darasa la nane wakitia bidii watafua dafu.
- A. Kielezi
B. kiwakilishi ngeli
C. udogo
D. masharti
25. **Tumia kiunganishi aula kujaza nafasi ifuatayo.**
_____ mtafaulu katika mtihani huu, nitawandalia karamu kuu.
- A. yakini B. aghalabu
C. ingawa D. endapo
26. **Tegua kitendawili kifuatacho.**
Huwezi kukalia alikokalia msichana wangu mweusi.
- A. Magurudumu
B. nyama ya mfupa
C. moto
D. chungu jikoni
27. Ni sentensi gani inayodhibitisha **matumizi ya kwa ya sababu au kusudi?**
- A. Tulinadi gari kwa shilingi laki tatu.
B. Alifurahi kwa kukopoa wana wa kiume
C. Alisafiri kwa ndege hadi Mombasa
D. Nipe sehemu moja kwa tano ya keki
28. **Panga vitendo vifuatavyo kwa utaratibu ufaao zaidi.**
- A. kuangua, kuotamia, kutaga
B. kutaga, kutamia, kuangua
C. kutamia, kutaga, kuangua
D. kutega, kukuangua, kutamia
29. **Nenonyasi** ni katika ngeli ya _____
- A. I-ZI B. U-ZI
C. LI-YA D. U-YA
30. Tumia **kivumishi** kifaacho zaidi kujibu swali lifuatalo.
Meneja ametuletea kalamu _____ za risasi.
- A. zingine B. ingine
C. nyingine D. lingine

Soma makala yafuatayo kasha ujibu maswali 31-40

Pesa ni chochote kile kilichoidhinishwa na serikali ya nchi au benki kama kitu halali na rasmi cha kubadilishana na bidhaa zinazonunuliwa au mahitaji na huduma zinazotakiwa. Visawe vya pesa ni ngwenje, fedha, darahima, shilingi na hela.

Katika nchi mbalimbali, pesa zimepewa majina mbalimbali na tofauti kama vile dola, pauni, yen, kwacha, pesa, rupee, yuro, randi na kadhalika. Pesa huwa na matumizi mbalimbali kama vile ya karo, nauli, makadirio, riba, kiingilio, sadaka, kodi, ushuru na kadhalika. Pesa zina matumizi mengi katika nchi na kwa adinasi yeyote. Mtu aliyefilisika kabisa hawezi kuruhusiwa kushikilia nyanja zozote katika nchi. Ukata au ulitima kwa hivyo ni hali isiyotamanika. Kuna mwanamuziki mmoja aliyeimba na kusema, 'shilingi yaua tena maua. 'Nadhani alimaanisha kuwa shilingi inaleta mazuri na pia mabaya. Mwandishi Shabaan Roberts naye akaongezea kuwa shilingi ni 'Mvunja miguu na milima ikalala. 'Biblia nayo pia ikaonya kuwa pesa ndizo chanzo cha maovu yote duniani. Japo kuna tahadhari hizi zote, kila mtu yuko mbioni kutafuta shilingi.

Pesa zinaweza kuleta madhara kwa yule anayezitumia. Kwa mfano, mtu atauza ng'ombe ilia apate karo, lakini aende kuzifuja zote katika anasa. Pesa hununua pombe kama kumi kumi ambayo

huwauwa wengi. Fedha hufanya mtu kushiriki mapenzi haramu kwa hivyo kujinunulia mauti na kuambukiza ukimwi. Katika Biblia, Yesu alisalitiwa na mmoja wa wafuasi wake kwa sababu ya pesa. Kunao ambao hua mradi wapate pesa.

Tumeona makanisa mengi yakiibuka, sio eti ni kwa mwito kutoka Rabuka, bali ni njia ya kujipatia riziki. Utawasikia wahubiri wakisema, 'Toa utabarikiwa. 'Wanaodhaniwa wana nafasi maishani au walio na magari hupewa heshima zaidi na wakati mwingine hupewa viti vya mbele kanisani. Usinieleme vibaya, sio wahubiri wote walio na tabia hizi.

Kwa hakika watu duniani wamegawanyika katika matabaka mawili; Tabaka la matajiri na tabaka la maskini. Kwa hakika haya matabaka mawili huishi maisha tofauti kama giza na mwangaza. Tofauti hujitokeza katika uzazi, malezi, mavazi, shule, hospitali, vyakula, hospitali, mochari na hata jeneza. Kinachowasawazisha watu ni kifo. Aisee!Pesa ni sabuni ya roho.

Inabidi tuelewe kuwa pesa haziwezi kununua usingizi, japo zaweza kununua kitanda cha dhahabu. Fedha haziwezi kununua furaha wala amani, fedha hazinunui akili japo zaweza kununua vitabu. Aidha, fedha haziwezi kununua tikiti ya kwenda mbinguni. Inabidi tuelewe ni rahisi kwa ngamia kupitia kwenye tundu la sindano kuliko tajiri kuingia katika ufalme wa Mungu. Ni sharti tuwe na kiwango Fulani cha fedha maishani ili tuweze kujikimu. Ukata na ulitima uliokithiri hutufanya tufanye kadhia mbaya maishani. Wakati mwingine tunakuwa busati la kupangulia matope kwa matajiri. Kwa walio na fedha, zisiwafanye watumwa bali wazitumie kwa kadri na wajali maslahi ya wanyonge kwani aliyewapa wao viti, ndiye aliyewapawengine kumbi.

31. Yenni pesa zinazotumika na watu wanchi gani?
A. Marekani B. Uswidi
C. Ujapani D. Uchina
32. Mtu aliyefilisika haruhusiwi kushikilia nyanja zozote katika nchi, maana ya usemi huu kulingana na muktadha ni _____
A. Wananchi hawana imani na waliofilisika kushikilia nyadhifa za juu
B. Maskini hawapewi kazi katika nchi yetu
C. Serikali imewapiga marufuku waliofilisika kushikilia nyadhifa zozote.
D. Mtu aliyefilisika anafaa kuwania nyadhifa
33. Ni sentensi ipi iliyo sahihi?
A. Maovu mengi husababishwa na matajiri
B. Ukiwa na fedha lazima utende maovu
C. Ni lazima uwe na furaha ukiwa na fedha
D. Ni lazima tuwe na hela ili tuweze kujikimu
34. Kwa nini matajiri hupewa vipi vya mbele kanisani?
A. Wao hutoa kitita kikubwa cha sadaka na miradi pia.
B. wana nyadhifa kubwa kuliko wengine
C. wao ndio hujenga kanisa na kununua viti
D. Kwa vile wao ni watakatifu
35. Kulingana na muktadha, watu husawazishwa na?
A. Mauti B. mavazi
C. matibabu D. maiti
36. Mwandishi anaposema, '**Wakati mwingine tunakuwa busati la kupangulia matope kwa matajiri.**' anamaanisha.
A. Wasio na uwezo hutumiwa vibaya na walio na uwezo wa kifedha.
B. Ni lazima walalahai watumikiwe walalahoi kwa njiaa zozote zile
C. Wasio na uwezo huwapangusia matajiri viatu vikiwa na tope
D. Matajiri ndio huwapa wanyonge nafasi za kazi
37. **Ukata** kulingana na muktadha ni _____
A. ukosefu wa imani maishani
B. wingi wa fedha maishani
C. ukosefu wa fedha
D. ukosefu wa maarifa

38. Kulingana na habari hii, kuna matabaka mangapi makuu duniani?

- A. matatu B. mawili
C. manne D. moja

39: Kati ya methali zilizo rodheshwa, ni methali ipi inayotueleza tusiwadharau maskini

- A. Mkataa kiko ni mchawi
B. Maskini akipata, matako hulia mbwata

- C. Mkata hampendi mwana
D. Njia mbili zilimlelea fisi

40. Kichwa mwafaka cha taarifa hii ni _____.

- A. pesa ni maua
B. umuhimu wa pesa
C. madhara ya pesa
D. pesa

Soma makala haya kisha ujibu maswali 41 - 50

Wazazi wana jukumu kubwa kuhusu maisha ya watoto wao. Ingawa ni kweli isiyohitaji ithibati kuwa watoto watatii wazazi wao, lakini pia ni shuruti kwa wazazi pia kuwaheshimu watoto wao. Ni kweli kuwa gharama ya maisha imepanda, ni kweli pia kuwa ya kale yamepita na katu hayatarudi abadani. Wazazi ambao hawakupanga uzazi na kupata watoto wengi daima hujikuta na tatizo lakulea na kuelimisha watoto wao wote kikamilifu. Wengi huwaelimisha watoto wa kwanza huku wakitumai kuwa mara hawa watoto wapatapo kazi, watawasaidia kuwakimu wao na watoto wale wengine. Kwa hivyo wazazi huwaona watoto wao kama akiba ya baadaye.

Katika enzi za mababu zetu, wavyele wote walihusika katika ulezi kinyume na mambo yalivyo leo. Nyakati hizo, mtu aliyekuwa na bibi wengi na hivyo watoto wengi alionekana mkwasi. Hapa kuna ukweli fulani kwani alikuwa amewalipia mahari wote. Bibi wengi walihitajika ili kusaidiana katikaa shughuli za maisha kama ukulima, kutafuta kuni, kutunza mifugo na kadhalika. Wake waliweza pia kusaidiana wakati mmoja wao alijifungua. Bila shaka mwanamume aliyekuwa na wake wengi alikuwa na watoto wengi. Kuwalisha na kuwalea watoto hawa haikuwa mzigo kwani walitegemea chakula walichovuna shambani pamoja na maziwa na nyama kutoka kwa wanyama waliofugwa. Sisemi kuwa maisha nyakati zile hayakuwa na vizingiti, la hasha, lakini yalivumilika na kuwaridhisha wote.

Tukilinganisha maisha ya siku hizi na ya kale, tunapata tofauti nyingi mathalani usiku na mchana. Ni watu wachache sana wanaoa wake wengi. Aliye na watoto wengi, hata akiwa ni mkwasi, huwa na shida hapa na pale. Kila kitu siku hizi ni pesa. Mashamba sasa yameadimika hasa kutokana na idadi kubwa ya watu ambao wanaongezeka kila uchao. Mvua nayo pia inanyesha hivi hivi nahii imeleta siyo ukame tu, bali pia njaa na kiu kwa watu na wanyama.

Mtu ambaye ana mke mmoja kwa njia moja husaidia kuweka idadi ya ongezeko la watu chini, lakini banati wanaopata watoto nje ya ndoa hufanya kinyume kabisa cha hivi. Ibura ni kwamba baadhi ya mimba hizi hupachikwa na watu wale wale walio na mabibi. Kila mzazi asiye punguani anafanya juu chini kuona kuwa watoto wake wanapata elimu. Ni kinaya kuwa elimu ya msingi haitozwi karo ilhali wazazi wanahitajika kununua vitabu vya kuandikia, kujenga shule na mkururu mwingi wa mahitaji ya fedha. Sharti watu wasome wakijua bayana kuwa baada ya kukamilisha masomo, hiyo haitakuwa tikiti ya kupata kazi mara moja. Cha muhimu ni kuwa aliyepata elimu atakuwa na fursa nzuri zaidi katika kusaidia kuendeleza gurudumu la maendeleo.

41. Kulingana na taarifa hii, lipi si jukumu la wazazi kwa watoto kulingana na maisha ya siku hizi

- A. Kuwakanya wanapokosa
B. kuwaelimisha vijana

- C. kuwaelimisha wavulana peke yao
D. kuwaheshimu na kuwalea

42. Ni yepi ambayo si madhara ya kutopanga uzazi?

- A. ongezeko la watu
 B. kutokuwa na uwezo wa kuwaelimisha watoto wote
 C. kutokuwa na chakula cha kutosha
 D. uharibifu wa mazingira
43. Watoto wanawezaje kuwa akiba kwa wazazi wao?
 A. wakati banati anaolewa na kupata mahari
 B. watoto ni kama pesa ambazo wazazi wanaweza kutumia kununukia vitu
 C. wakikosa fedha unaweza kumwoza binti yako
 D. wakisoma na kupata kazi wataweza kuwasaidia wazazi wao hivyo kuinua hali ya maisha yao.
44. Utajiri katika enzi za kale ulikuwa
 A. idadi ya fedha pale nyumbani
 B. idadi ya bibi, watoto na mifugo
 C. ukubwa wa shamba na wingi wa mifugo
 D. mashamba, mifugo na fedha
45. Ni ipi si faida ya wingi wa wake na watoto?
 A. kusaidiana katika kazi mbalimbali za nyumbani
 B. kuwa na akiba nyingi hivyo kuhakikisha maisha mazuri uzeeni
 C. kusaidiana wakati wa kujifungua
 D. hakuna hali ya ukiwa na upweke
46. Ni sentensi ipi ambayo si sahihi
 A. Mtu mwenye mke mmoja husaidia kupunguza idadi ya watu duniani
 B. Gharama ya chini ya maisha iliwezesha watu kuwa na watoto wengi
 C. Mtu aliyesoma na kupita vizuri ana hakikisho la kupata kazi
 D. Banati anayepata mtoto nje ya ndoa husaidia kuongeza watu duniani
47. Kila uchao ni _____.
 A. kila siku
 B. kila mara
 C. asubuhi ifikapo
 D. kila asubuhi
48. Faida kubwa ya elimu ni _____.
 A. kuweza kujipa kazi na mshahara mkubwa
 B. kuweza kuendeleza gurudumu la maendeleo
 C. kujua kusoma na kuandika kila kitu
 D. akiba ambayo haiozi
49. Ni kauli ipi inayofaa zaidi?
 A. kutolipa karo lakini kujinunulia vifaa shuleni
 B. Kujinunulia vitabu, vifaa vinavyohitajika shuleni na kulipa karo
 C. Kulipa karo lakini kupewa vitabu bure pamoja na vifaa na mahitaji mengine ya shule
 D. Kutolipa karo, kupewa vitabu bure lakini kuchangia mishahara ya walimu
50. Maana ya neon **ibura** kama lilivyotumika katika muktadha ni?
 A. ajabu
 B. ubaya
 C. uzuri
 D. aibu

KCPE TRIAL EXAMINATION

STANDARD EIGHT – 2014

MATHEMATICS



**HIGH FLYER
SERIES
007**

Time: 2 hours

READ THESE INSTRUCTIONS CAREFULLY

1. You have been given the question booklet and a separate answer sheet. The question booklet contains 50 questions.
2. Do any necessary rough work in this booklet.
3. When you have chosen your answer, mark it on the **ANSWER SHEET**, not in the question booklet.

HOW TO USE THE ANSWER SHEET

4. Use an ordinary pencil only.
 5. Make sure that you have written on the answer sheet.
- YOUR INDEX NUMBER**
- YOUR NAME**
- NAME OF YOUR SCHOOL**
6. By drawing a **dark line** inside the correct numbered boxes mark your full Index Number (i.e. School Code Number and the three-figure Candidate's Number) in the grid near the top of the answer sheet.
 7. Do not make any marks outside the boxes.
 8. Keep your answer sheet as clean as possible and do not fold it.
 9. For each of the Question 1 – 50 four answers are given. The answers are lettered A, B, C and D. In each case only **ONE** of the four answers is correct. Choose the correct answer.
 10. On the answer sheet the correct answer is to be shown by drawing a **dark line** inside the box in which the letter you have chosen is written.

EXAMPLE

In the question Booklet

24. A cylinder has a volume of 831.6cm^3 . If the height of the cylinder is 15cm, what is the diameter? (Take $\pi = \frac{22}{7}$).
- A. 4.2cm B. 8.4cm
C. 55.44cm D. 0.42cm

The correct answer is **B**.

On the answer sheet:

4 [A] [B] [C] [D] 14 [A] [B] [C] [D] 24 [A] [B] [C] [D] 34 [A] [B] [C] [D] 44 [A] [B] [C] [D]

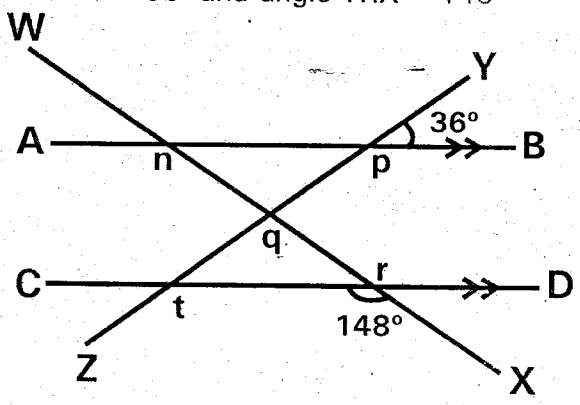
In the set of boxes numbered 24, the box with the letter **B** printed in it is marked.

11. Your **dark line** **MUST** be within the box.
12. For each question **ONLY ONE** box is to be marked in each set of four boxes.

Branded Eagle is a mark of genuine High Flyer Series Exams and Books. Beware of imitations.

© High Flyer Series, 2014 Tel. 0723 499860

TURN OVER

- What is 8409762 written in words?
 - Eight million four thousand and nine, seven hundred and sixty two
 - Eighty four and nine thousand, seven hundred and sixty two
 - Eight million four hundred and nine thousand seven hundred and sixty two
 - Eight hundred and forty thousand ninety seven hundred and sixty two
- What is the L.C.M of 40, 50 and 75?
 - 200
 - 5
 - 150
 - 600
- The fractions $\frac{4}{7}$, $\frac{3}{5}$, $\frac{5}{9}$, $\frac{8}{13}$ are to be arranged from the smallest to the largest. Which one of the following is the correct order?
 - $\frac{5}{9}$, $\frac{4}{7}$, $\frac{3}{5}$, $\frac{8}{13}$
 - $\frac{8}{13}$, $\frac{5}{9}$, $\frac{4}{7}$, $\frac{3}{5}$
 - $\frac{3}{5}$, $\frac{4}{7}$, $\frac{5}{9}$, $\frac{8}{13}$
 - $\frac{5}{9}$, $\frac{3}{5}$, $\frac{4}{7}$, $\frac{8}{13}$
- The perimeter of a rectangular plot of land is 400 metres. The width of the plot is 80 metres. What is the length of the plot?
 - 100m
 - 120m
 - 240m
 - 160m
- Which one of the following sets of measurements will form a right angled triangle when drawn?
 - 3cm, $5\frac{1}{3}$ cm, $8\frac{1}{3}$ cm
 - $3\frac{1}{3}$ cm, 8cm, $8\frac{2}{3}$ cm
 - $1\frac{2}{3}$ cm, 4cm, $5\frac{2}{3}$ cm
 - $1\frac{3}{4}$ cm, 6cm, $5\frac{1}{4}$
- Three bells are set to ring out at intervals of 12 minutes, 18 minutes and 27 minutes respectively. If they all ring together now, after how many minutes will they ring together next?
 - 36
 - 54
 - 648
 - 108
- Which one of the following properties is TRUE for both a square and a rectangle?
 - Diagonals bisect at right angles
 - Diagonals are not equal
 - Opposite sides are equal and parallel
 - Some angles are equal
- What is the simplified form of $\frac{2}{3}(9y - 15m)$?
 - $18y - 10m$
 - $18y - 5m$
 - $6y - 10m$
 - $15y - 5m$
- What is the next number in the pattern 3, 6, 9, 15, 24, _____?
 - 51
 - 34
 - 36
 - 39
- Which one of the numbers below is the square root of 4.1616?
 - 0.204
 - 0.0204
 - 2.04
 - 20.40
- What is the number 7688.4967 rounded off to 2 decimal places?
 - 7688.50
 - 7688.49
 - 7689.00
 - 7688.59
- In the figure below lines AB and CD are parallel. Lines WX and YZ are transversals which intersect at q. Angle YPB = 36° and angle TRX = 148°


What is the size of angle nqt?

 - 112°
 - 68°
 - 32°
 - 144°
- What is the value of $36 \div 4 \times 8 \div 3 + 12 \div 6$?
 - 26
 - 6
 - 12
 - 24

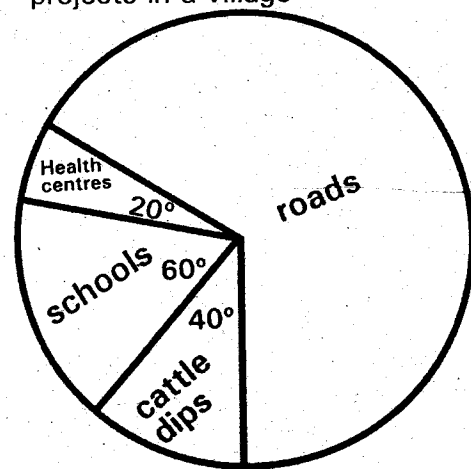
14. What is the value of $\frac{8(23 - 15) + 8 \times 6}{8}$
 A. 54 B. 56
 C. 14 D. 112
15. Gacheri bought the following items:
 3 packets of maize flour at sh 108 each
 3kg of beans for sh 240
 $\frac{1}{2}$ kg of tomatoes at sh 60 per kg
 4 packets of milk at sh 50 each
 If she had sh 1,500, how much money was she left with?
 A. Sh. 226 B. Sh. 676
 C. Sh. 796 D. Sh. 706
16. What is the value of x in the equation $\frac{4(3x+5)}{5} - 8 = 20$?
 A. $13\frac{1}{3}$ B. 10
 C. $8\frac{1}{3}$ D. 12
17. How many fencing posts spaced 4m apart are required to fence a rectangular plot measuring 216m by 148m?
 A. 182 B. 183
 C. 92 D. 91
18. The table below shows the amount of milk delivered by a farmer to the dairy in 6 days

DAYS	MON	TUE	WED	THU	FRI	SAT
MILK IN LITRES	53	46	31		42	34

If the total amount delivered in the 6 days was 245 litres, what was the median sale of milk in litres for the 6 days?

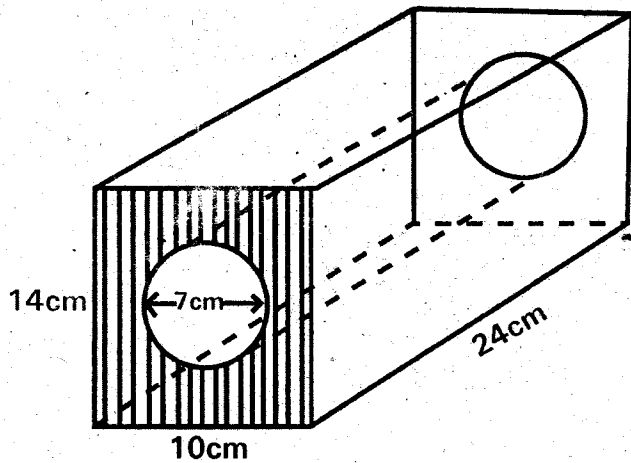
- A. 40 B. 42
 C. $40\frac{1}{2}$ D. 39
19. A cylindrical container has a circumference of 110cm and a height 12cm. What is the volume of the container in cm^3 ?
 (Take $\pi = \frac{22}{7}$)
 A. 46200cm^3 B. 11550cm^3
 C. 660cm^3 D. 1320cm^3

20. A meeting was attended by 650 people. Out of these 0.22 were women, 0.36 were men and the rest were children. How many more children than women were there?
 A. 273 B. 39
 C. 230 D. 130
21. Mapenzi is paid sh 7840 after working for 28 days. How much money would she be paid if she does not work for 6 days?
 A. Sh. 6160 B. Sh. 1680
 C. Sh. 9520 D. Sh. 7160
22. The pie chart below represents the amount of money spent on different projects in a village



If sh 14,400,000 was spent on roads, how much more was spent on schools than on health centres?

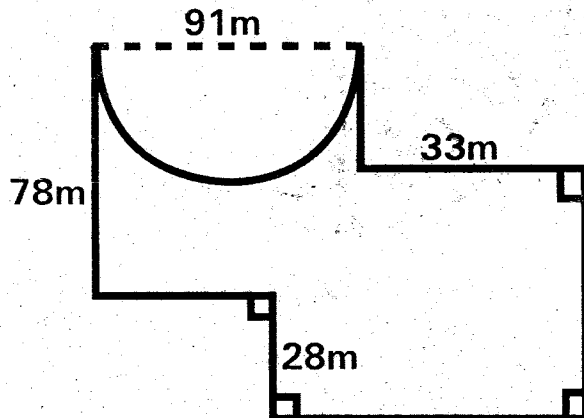
- A. Sh. 3,600,000
 B. sh. 2,400,000
 C. sh. 1,200,000
 D. sh. 21,600,000
23. The figure below represents a solid in form of a cuboid. A hole whose diameter is 7cm is drilled through the solid as shown in the diagram



What is the volume of the solid in cm^3 ?
(Take $\pi = \frac{22}{7}$)

- A. 3360cm^3 B. 924cm^3
C. 2832cm^3 D. 2436cm^3

24. The diagram below represents a flower garden. One of its edges is a semi-circle.



What is the perimeter of the garden?
(Take $\pi = \frac{22}{7}$)

- A. 603m B. 497m
C. 512m D. 388m

25. The two parallel sides of a trapezium measures 23cm and 35cm. The perpendicular distance between the parallel sides is 17cm. What is the area of the trapezium?
A. 493cm^2 B. 986cm^2
C. 578cm^2 D. 1972cm^2

26. A rectangular container 56cm long and 40cm wide is full of water. After removing 22.4 litres of water, the level

of water became 25cm high. What was the height of the container?

- A. 25cm B. 35cm
C. 10cm D. 56cm

27. Komen bought 200kg of maize flour which he packed in packets as follows:
One quarter of the flour in 500g packets
Two fifth of the flour in 250g packets
The remainder in 1kg packets
How many packets altogether of maize flour did he get?

- A. 420 B. 421
C. 490 D. 115

28. Omwega bought 50 chickens @ sh 440. He spent sh 200 on transport. During transportation 2 chickens died but he sold the rest making a 20% profit. For how much did he sell each chicken?

- A. Sh. 528 B. Sh. 533
C. Sh. 550 D. Sh. 555

29. A group of 9 ladies went on a shopping spree and visited a boutique which offered clothes prices as shown in the table below

	Coat	Skirt	Pullover
Trouser	Sh 2700	Sh 2000	Sh 1800
Blouse	Sh 2000	Sh 1300	Sh 1100
Dress	Sh 4000	Sh 3300	Sh 3100

4 ladies each bought a trouser and a coat

3 ladies each bought a dress and a pullover

The remaining ladies each bought a blouse and a skirt. How much more would they have spent if each lady bought a dress and a skirt?

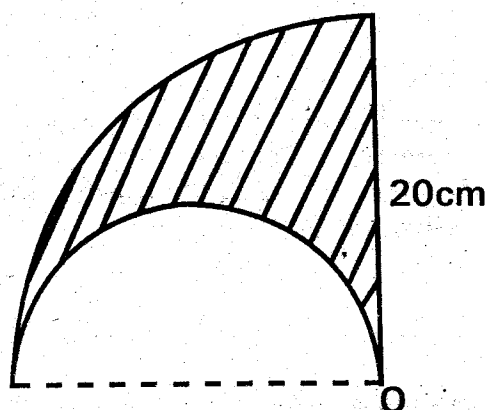
- A. Sh. 29,700 B. Sh. 22,700
C. Sh. 7000 D. Sh. 5,600

30. Konzolo paid sh 29,600 for a mobile phone after getting a discount of $7\frac{1}{2}\%$. How much more would he have paid had he been given a discount of 5%?

- A. Sh. 800 B. Sh. 1,600
C. Sh. 30,400 D. Sh. 32,000

31. The hire purchase price of a T.V decoder is 40% more than the cash price. The cash price is sh 5,000. Ojwang paid sh 525 as a monthly instalment for 10 months. How much had he paid as deposit?
- A. Sh. 2,000 B. Sh. 1,750
C. Sh. 3,250 D. Sh. 250

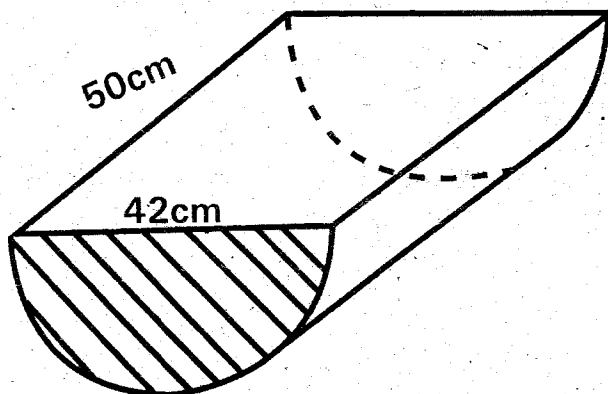
32. The figure below represents a quarter of a circle centre O. The radius of the radius of the quarter circle is 20cm



What is the area of the shaded part?
(Take $\pi = 3.14$)

- A. 314cm^2 B. 785cm^2
C. 1099cm^2 D. 157cm^2
33. Construct a triangle XYZ such that side $YZ = 7\text{cm}$, angle $YZX = 55^\circ$ and angle $ZXY = 40^\circ$. What is the length of side XZ?
- A. 8.8cm B. 4.5cm
C. 10.8cm D. 9.1cm

34. The figure below represents a half of a cylindrical piece of wood of diameter 42cm and a length of 50cm



What is the surface area of the solid in cm^2 ?

(Take $\pi = \frac{22}{7}$)

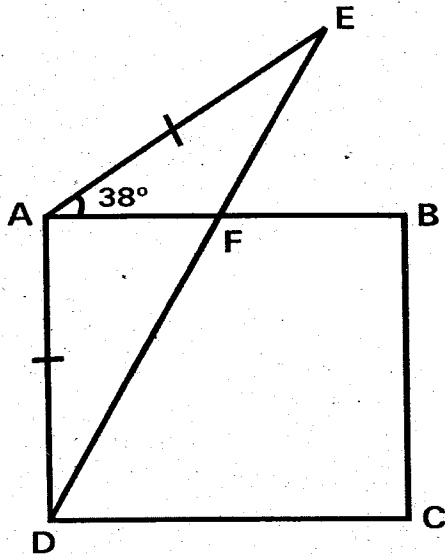
- A. 6930cm^2 B. 6786cm^2
C. 5544cm^2 D. 5400cm^2
35. A watch loses 20 seconds every hour. If the watch was set right on Tuesday at 11.20pm, what day and time did it show after 15 hours?
- A. Wednesday 2.25pm
B. Wednesday 2.25am
C. Wednesday 2.35pm
D. Wednesday 2.35am
36. A cyclist took 20 minutes to travel from his house to the market at a speed of 15km/h . He took 30 minutes to travel back from the market to his house. What was his average speed for the whole journey?
- A. 10km/h B. $12\frac{1}{2}\text{km/h}$
C. $8\frac{1}{3}\text{km/h}$ D. 12km/h
37. What is the value of digit 4 in the number 7142083?
- A. Ten thousands
B. Hundred thousands
C. Forty thousand
D. Thousands
38. 72kg of salt was packed into equal number of 500g and 1kg packets. How many packets altogether were packed?
- A. 48 B. 96
C. 144 D. 216
39. In the year 2012 April 19th was on Thursday. What day was February 7th the same year?
- A. Sunday B. Monday
C. Wednesday D. Tuesday
40. A salesgirl earns a salary of sh 25,200 plus a 7% commission on sales above sh 120,000. In one month she earned a total of sh 31,500. What was the value of goods she sold?
- A. Sh. 210,000 B. Sh. 90,000
C. Sh. 450,000 D. Sh. 570,000

41. The table below shows the distance in kilometres from Kyungu's home to hospital, school and market.

Home			
5 Km	Hospital		
6 Km	8 Km	School	
11 Km	9 Km	6 Km	Market

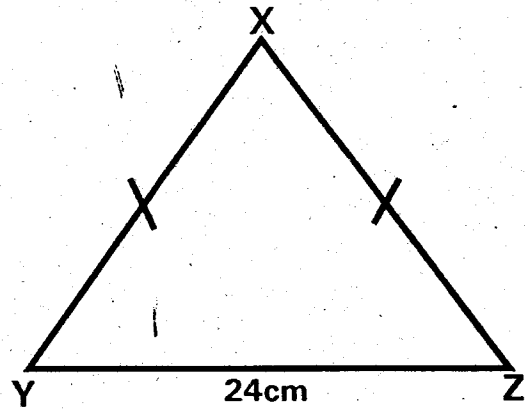
One day Kyungu left home for school. From school, he went to hospital via the market and then went back home. How many kilometres did Kyungu travel that day?

- A. 26km B. 25km
C. 19km D. 33km
42. In the figure below ABCD is a square. Line AE = AD. Angle EAB = 38°



What is the measure of angle AFD?
A. 52° B. 26°
C. 64° D. 76°

43. The perimeter of the isosceles triangle XYZ shown below is 50cm. The base of the triangle is 24cm



What is the area of the triangle?
A. 30cm^2 B. 60cm^2
C. 120cm^2 D. 156cm^2

44. Construct triangle KLM in which $KL = 7\text{cm}$, $KM = 9\text{cm}$ and $LM = 5\text{cm}$. Bisect angle KML and let the bisector meet the line KL at T. What is the size of angle MTL?
A. 121° B. 50°
C. 34° D. 59°

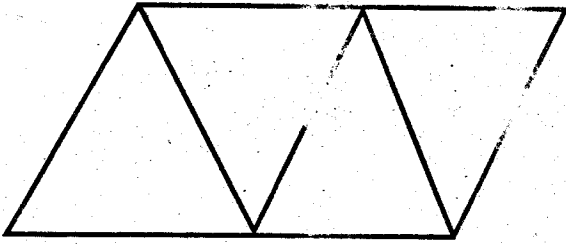
45. The table below shows inland postal charges for letters

Weight of letter	Sh	cts
Up to 20g	25	00
Over 20g up to 50g	30	00
Over 50g up to 100g	35	00
Over 100g up to 250g	50	00
Over 250 up to 500g	85	00
Over 500g up to 1kg	135	00
Over 1kg up to 2kg	190	00

Kotut posted two letters each weighing 270g and another one weighing $1\frac{1}{2}\text{kg}$. How much money did he pay at the post office?

- A. sh 275 B. sh 240
C. sh 290 D. sh 360
46. What is the value of $\frac{3n(y + 4c)}{nc^2}$
When $n = c + 1$, $c = 4$ and $y = \sqrt{c}$?
A. $27/10$ B. $3^3/8$
C. $27/40$ D. $6^3/4$

47. The figure below represents the net of a solid



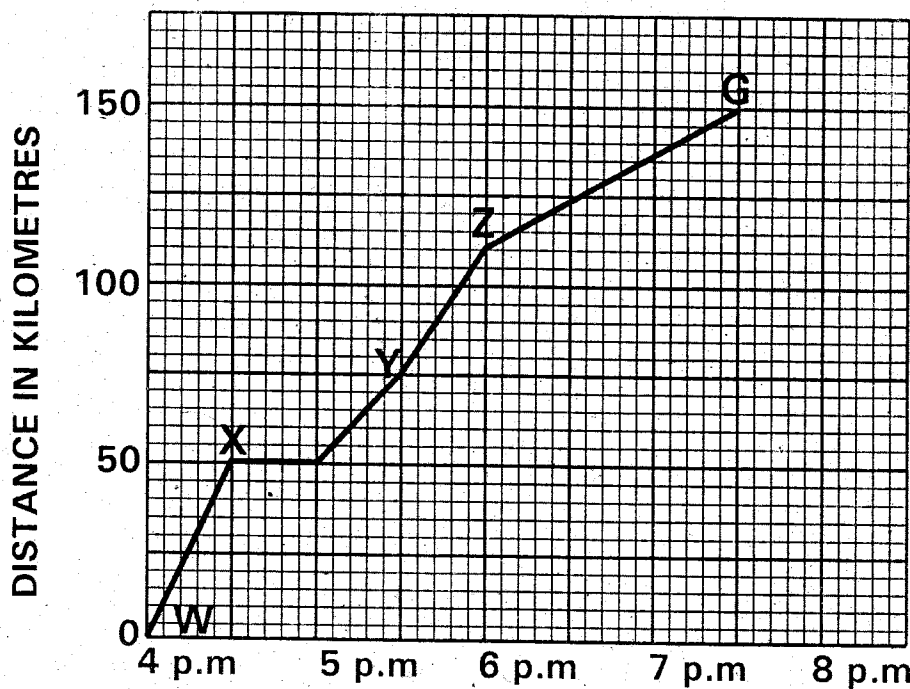
The net is folded to form a solid. What is the product of the faces, edges and vertices of the solid formed?

- A. 14
B. 80
C. 96
D. 100
48. Three farmers Makau, Mwachofi and Abubakar sold a total of 495 bags of wheat. Makau sold 24 bags more than Mwachofi, while Abubakar sold half the total of what Makau and Mwachofi sold. If the number of bags sold by Mwachofi

is represented by letter m , which one of the following equations can be used to get the value of m ?

- A. $6m + 24 = 495$
B. $2\frac{1}{2}m + 36 = 495$
C. $3m + 36 = 495$
D. $3m - 36 = 495$

49. Hassan packed 24 cartons each containing 25 bottles of juice. The amount of juice in each bottle was 300ml. What was the total amount of the juice in litres packed by Hassan?
A. 18000
B. 1800
C. 180
D. 18
50. The graph below shows Omondi's journey from town W to town G via town X, Y and Z



Between which two towns was the speed highest?

- A. W and X
B. X and Y
C. Y and Z
D. Z and G



HIGH FLYER TRIAL EXAM 2014

STANDARD EIGHT

MARKING SCHEME

ENGLISH	KISWAHILI	MATHS	SCIENCE	SOCIAL STUDIES		
1. A	1. A	1. C	1. B	1. B	51. B	<u>I.R.E</u>
2. D	2. B	2. D	2. B	2. A	52. B	1. D
3. B	3. C	3. A	3. D	3. C	53. D	2. D
4. A	4. D	4. B	4. C	4. C	54. B	3. B
5. A	5. B	5. B	5. C	5. D	55. D	4. B
6. C	6. A	6. D	6. B	6. C	56. A	5. D
7. C	7. B	7. C	7. D	7. D	57. D	6. C
8. B	8. C	8. A	8. C	8. B	58. C	7. D
9. B	9. A	9. D	9. B	9. A	59. A	8. D
10. B	10. C	10. C	10. A	10. D	60. B	9. C
11. C	11. A	11. A	11. C	11. D		10. A
12. A	12. C	12. B	12. C	12. B	<u>C.R.E</u>	11. C
13. A	13. C	13. A	13. B	13. C	61. C	12. C
14. D	14. B	14. C	14. B	14. C	62. B	13. A
15. B	15. B	15. D	15. D	15. B	63. D	14. C
16. C	16. C	16. B	16. C	16. A	64. B	15. C
17. A	17. C	17. A	17. B	17. D	65. A	16. D
18. C	18. B	18. C	18. A	18. C	66. C	17. A
19. B	19. D	19. B	19. C	19. C	67. D	18. A
20. D	20. D	20. D	20. B	20. D	68. C	19. C
21. A	21. D	21. A	21. A	21. A	69. D	20. B
22. C	22. B	22. B	22. C	22. D	70. B	21. B
23. B	23. C	23. D	23. A	23. B	71. C	22. B
24. B	24. D	24. C	24. C	24. A	72. A	23. D
25. D	25. D	25. A	25. B	25. C	73. D	24. A
26. D	26. D	26. B	26. B	26. B	74. A	25. A
27. D	27. B	27. C	27. C	27. C	75. C	26. B
28. D	28. B	28. D	28. A	28. A	76. B	27. B
29. A	29. B	29. C	29. D	29. B	77. D	28. D
30. C	30. C	30. A	30. C	30. C	78. B	29. B
31. A	31. C	31. B	31. B	31. C	79. B	30. D
32. A	32. A	32. D	32. D	32. B	80. A	
33. C	33. D	33. C	33. A	33. B	81. B	
34. D	34. A	34. B	34. B	34. D	82. D	
35. B	35. A	35. A	35. C	35. D	83. D	
36. B	36. A	36. D	36. B	36. D	84. B	
37. C	37. C	37. C	37. A	37. C	85. D	
38. A	38. B	38. B	38. C	38. D	86. D	
39. C	39. C	39. D	39. A	39. A	87. C	
40. B	40. D	40. A	40. A	40. C	88. D	
41. C	41. C	41. A	41. C	41. C	89. C	
42. A	42. D	42. C	42. B	42. B	90. C	
43. D	43. D	43. B	43. A	43. A		
44. D	44. B	44. D	44. A	44. D		
45. C	45. C	45. D	45. C	45. C		
46. A	46. B	46. B	46. B	46. D		
47. C	47. A	47. C	47. A	47. C		
48. B	48. B	48. C	48. C	48. A		
49. D	49. C	49. C	49. B	49. D		
50. A	50. D	50. A	50. B	50. B		



KCPE TRIAL EXAMINATION

STANDARD 8 – 2014

SCIENCE

Time: 1 Hour 40 minutes

READ THESE INSTRUCTIONS CAREFULLY

1. You have been given the question booklet and a separate answer sheet. The question booklet contains 50 questions.
2. Do any necessary rough work in this booklet.
3. When you have chosen your answer, mark it on the **ANSWER SHEET**, not in the question booklet.

HOW TO USE THE ANSWER SHEET

4. Use an ordinary pencil only.
5. Make sure that you have written on the answer sheet.

YOUR INDEX NUMBER

YOUR NAME

NAME OF YOUR SCHOOL

6. By drawing a **dark line** inside the correct numbered boxes mark your full Index Number (i.e. School Code Number and the three-figure Candidate's Number) in the grid near the top of the answer sheet.
7. Do not make any marks outside the boxes.
8. Keep your answer sheet as clean as possible and do not fold it.
9. For each of the Question 1 – 50 four answers are given. The answers are lettered A, B, C and D. In each case only **ONE** of the four answers is correct. Choose the correct answer.
10. On the answer sheet the correct answer is to be shown by drawing a **dark line** inside the box in which the letter you have chosen is written.

EXAMPLE

In the Question Booklet:

4. The carnassials teeth are mainly used for _____.
- A. tearing flesh B. grinding flesh
C. cutting flesh D. slicing flesh

The correct answer is D

On the answer sheet:

4 [A] [B] [C] **D** **14** [A] [B] [C] [D] **24** [A] [B] [C] [D] **34** [A] [B] [C] [D] **44** [A] [B] [C] [D]

In the set of boxes numbered 4, the box with the letter D printed in it is marked.

11. Your **dark line** **MUST** be within the box.
12. For each question **ONLY ONE** box is to be marked in each set of four boxes.



Branded Eagle is a mark of genuine High Flyer Series Exams and Books. Beware of imitations.

© High Flyer Series, 2014

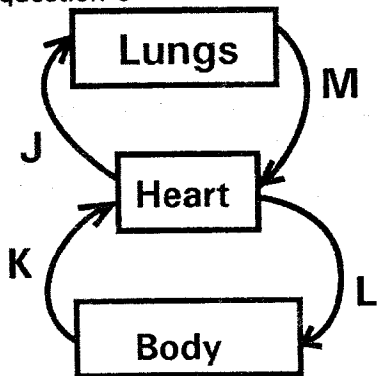
Tel. 0723 499860

TURN OVER

- Which one of the following is NOT a problem related to teeth?
 - Bleeding gums
 - Shedding
 - Bad smell
 - Dental carries
- The following are air passages in the breathing system. Which one is NOT?
 - Trachea
 - Air sacs
 - Nose
 - Bronchi
- In the table below which digestive juice is NOT matched with the food it digests

Digestive juice	Food digested
A. Bile juice	Fats and oils
B. Saliva	Starch
C. Gastric juice	Proteins
D. Pancreatic juice	Vitamins

- Which part of the male reproductive system deposits sperms into the vagina?
 - Sperm duct
 - Testis
 - Penis
 - Epididymis
- Use the diagram below to answer question 5



- Which letter represents the blood vessels that carry blood under high pressure?
- J and K
 - M and L
 - J and L
 - K and M

- The following methods will lead to the spread of HIV and AIDS. Which one will NOT?
 - Sexual intercourse with infected persons
 - Shaking hands of an infected person
 - Mother to child during breast feeding
 - Sharing body piercing and cutting tools

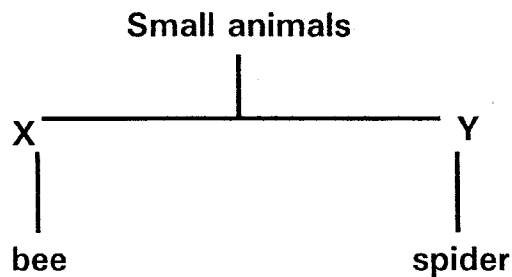
- Which of the following stages of HIV and AIDS infection may an infected person test negative?
 - Full blown stage
 - Symptomatic stage
 - Asymptomatic stage
 - Window stage
- The following are examples of common communicable diseases. Which one is NOT?
 - Malaria
 - Tuberculosis
 - Tetanus
 - Common cold
- When handling chemicals at home, we should do all the following except?
 - Wash hands properly after applying chemicals
 - Storing food in empty chemical containers
 - Reading instructions properly before using them
 - Disposing empty chemical containers after using them
- Which one of the following is NOT a harmful chemical in tobacco?
 - Ethanol
 - Carbon monoxide
 - Tar
 - Nicotine

- In the table below which weather instrument is not matched with the principle under which it works

Weather instrument	Principles
A. Rain gauge	Liquids occupy space
B. Liquid thermometer	Expansion and contraction
C. Wind vane	Air exerts pressure
D. Windssock	Air occupies space

- Which of the following planets takes the largest time to go round the sun?
 - Earth
 - Jupiter
 - Neptune
 - Saturn
- The phase of the moon that is invisible is _____
 - Crescent moon
 - New moon
 - Full moon
 - Quarter moon

14. The following are common characteristics of animals. Which one is NOT?
- All animals die
 - All animals give birth.
 - All animals excrete
 - All animals move
15. Standard 4 pupils were asked by their science teacher to give farm animals that give the farmer the same products. Which one of the following was correct?
- Sheep and chicken
 - Cow and chicken
 - Sheep and camel
 - Cow and goat
16. Standard 5 pupils classified small animals as shown below



- What characteristics did the pupils use when classifying the small animals into group X and Y?
- X has a backbone while Y does not
 - X moves by crawling while Y moves by moving.
 - X has three body parts while Y has two body parts.
 - X has four pairs of legs while Y has three pairs of legs.
17. Which pair below shows external livestock parasites
- Ticks and tapeworms.
 - Mites and fleas
 - Roundworms and tapeworms
 - Fleas and hookworms
18. The following are signs of ill health in livestock. Which one is NOT?
- Robust growth
 - Reduced weight
 - Retarded growth
 - Blood in stool
19. Which one of the following is NOT a recreational use of water?

- Boat racing
- Skiing
- Bathing
- Swimming

20. The following are signs and symptoms of cholera. Which one is NOT?
- Stomach pains
 - Skin rashes
 - Violent diarrhoea
 - Dehydration
21. Standard 8 pupils collected four samples of water and heated each sample to evaporation and collected salts as shown in the table below

Water sample	Amount of salt collected
A. W	0.5kg
B. X	1.0kg
C. Y	2.3kg
D. X	1.50kg

- Which sample of water would lather easily with soap?
- W
 - X
 - Y
 - Z
22. Which of the following is NOT needed when investigating the presence of water in a sample of soil?
- A lid
 - Source of heat
 - Water
 - Beaker
23. Equal amounts of water were poured in four different types of soils and observations made after 10 minutes. Which sample of soil had the highest level of water
- Clay
 - Loam
 - Sand
 - Silt
24. The following are human activities that encourage soil erosion. Which one is NOT?
- Overstocking
 - Deforestation
 - Contour farming
 - Mining
25. The following are advantages of inorganic fertilizers. Which one is NOT?
- They are easy to transport
 - They change the structure of the soil
 - They promote high crop yields
 - They contain specific plant nutrients

26. Which one of the following is not a major component of the environment?

- A. Soil
- B. Light
- C. Air
- D. Animals

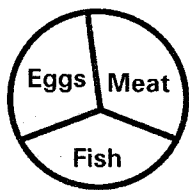
27. The following are air pollutants. Which one of them may contain lead that is dangerous to human health?

- A. Aerosol sprays
- B. Tobacco smoking
- C. Vehicle exhaust
- D. Farm chemicals

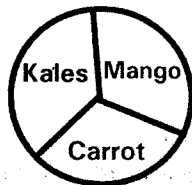
28. Which of the following methods of soil conservation helps in conserving soil moisture?

- A. Mulching
- B. Planting cover crops
- C. Contour farming
- D. Terracing

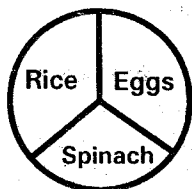
29. Which diagram below shows energy giving foods only?



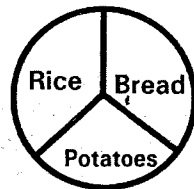
A



B



C



D

30. The following are signs of a deficiency disease caused by lack of body building foods in the diet. Which one is NOT?

- A. Brownish and thin hair
- B. Swollen stomach and feet
- C. Visible bones underneath the skin
- D. Sores at the corners of the mouth

31. Which one is a natural chemical that may cause food poisoning?

- A. Herbicides
- B. Contaminated maize
- C. Detergents
- D. Micro-organisms

32. The part of a thermos flask that prevents heat loss by radiation is _____.

- A. Cork stopper
- B. Vacuum
- C. Plastic casing
- D. Shiny surface

33. Standard 6 pupils wanted to investigate how light travels. They were asked to bring all the following materials except?

- A. Mirror
- B. Candle
- C. Cardboards
- D. Nail

34. Sound energy travels slowest in one of the following. Which one is it?

- A. Vacuum
- B. Air
- C. Water
- D. Nail

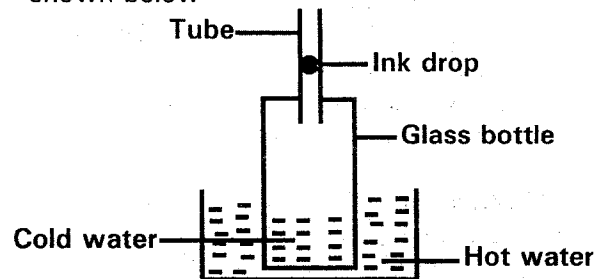
35. The following are sources of current electricity. Which one is NOT?

- A. Hydroelectric power
- B. Solar panels
- C. Lightning
- D. Geothermal generators

36. Which of the following does not show conservation of energy?

- A. Sharing public transport
- B. Using traditional jiko when cooking
- C. Improving the road network in the country
- D. Using energy from the sun

37. Standard 5 pupils carried out the activity shown below



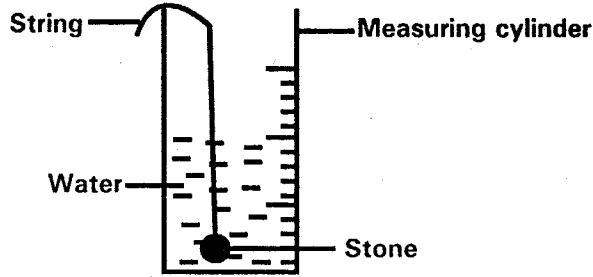
From the observation made, the pupils concluded that _____.

- A. Air expands when heated
- B. Water expands when heated
- C. Solids expand on heating
- D. Ink drop expand on heating

38. Pressure exerted by a solid increase when _____.

- A. Volume of the solid is increased
- B. Weight of the solid is increased
- C. Surface area of the solid is decreased
- D. Mass of the solid is decreased

39. Standard 5 pupils carried out the activity shown below



What property of the stone were the pupils investigating?

- A. Volume
- B. Density
- C. Weight
- D. Shape

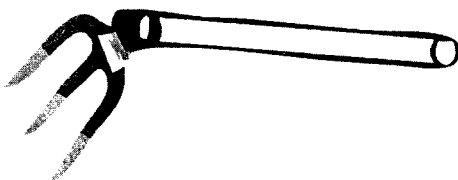
40. Which statement below describes sublimation?

- A. A solid changing to a gas
- B. A liquid changing to a solid
- C. A gas changing to a solid
- D. A solid changing to a liquid

41. In the table below which mixture is NOT matched with the method of separation

Mixture	Method of separation
A. Salt + water	Evaporation
B. Maize + beans	Picking
C. Spirit + water	Decantation
D. Sand + water	Filtration

42. Standard 4 pupils saw the simple tool shown below on their school farm



The tool shown is mainly used for

- A. Digging hard soil
- B. Removing weeds from the farm
- C. Gathering rubbish on the farm
- D. Levelling the soil when planting

43. The maintenance practice done on simple tools that prevents them from rusting is

- A. Oiling them
- B. Sharpening them
- C. Cleaning them after use
- D. Replacing broken handles

44. Which one of the following is NOT an example of a push or pull on a body?

- A. Mass
- B. Magnetism
- C. Weight
- D. Effort

45. The following are examples of levers. Which pair shows levers that belong to the same group?

- A. Spade and claw hammer
- B. Seesaw and charcoal tongs
- C. Nutcracker and door hinge
- D. Lid opener and bottle opener

46. Which machine below does NOT make work easier by increasing the effort distance?

- A. Ladder
- B. Winch
- C. Road winding up a hill
- D. Ramp

47. Which one of the following is NOT true about water?

- A. Water mixes with all liquids
- B. The boiling point of water is 100°C
- C. When heated it evaporates
- D. Water is a universal solvent

48. What quality does mercury have that makes it better to be used in a thermometer

- A. Shines
- B. Slides easily
- C. Expands easily
- D. Cannot contract

49. Who among the following cannot be classified under a special group in nutrition?

- A. Lactating mother
- B. Adolescents
- C. Infants
- D. HIV and AIDS patients

50. Which one of the following shows waste products excreted by the lungs?

- A. Urea and excess water
- B. Water vapour and carbon dioxide
- C. Excess mineral salts and urea
- D. Carbon dioxide and urea



**KCPE TRIAL EXAMINATION
STANDARD EIGHT – 2014
SOCIAL STUDIES & CRE**

Time: 2 hours 15 minutes

READ THESE INSTRUCTIONS CAREFULLY

1. You have been given the question booklet and a separate answer sheet. The question booklet contains 90 questions.
2. Do any necessary rough work in this booklet.
3. When you have chosen your answer, mark it on the **ANSWER SHEET**, not in the question booklet.

HOW TO USE THE ANSWER SHEET

4. Use an ordinary pencil only.
5. Make sure that you have written on the answer sheet.

YOUR INDEX NUMBER

YOUR NAME

NAME OF YOUR SCHOOL

6. By drawing a dark line inside the correct numbered boxes mark your full Index Number (i.e. School Code Number and the three-figure Candidate's Number) in the grid near the top of the answer sheet.
7. Do not make any marks outside the boxes.
8. Keep your answer sheet as clean as possible and do not fold it.
9. For each of the Question 1 – 90 four answers are given. The answers are lettered A, B, C and D. In each case only **ONE** of the four answers is correct. Choose the correct answer.
10. On the answer sheet the correct answer is to be shown by drawing a dark line inside the box in which the letter you have chosen is written.

EXAMPLE

In the Question Booklet:

32. Which of these lakes are formed when a river deposits sand materials on its banks?
- A. Tarns B. Fault lakes
C. Volcanic lakes D. Ox-bow lakes

The correct answer is D

On the answer sheet:

31 [A] [B] [C] [D] 32 [A] [B] [C] [D] 33 [A] [B] [C] [D] 34 [A] [B] [C] [D] 35 [A] [B] [C] [D]

In the set of boxes numbered 32, the box with the letter D printed in it is marked.

11. Your dark line **MUST** be within the box.
12. For each question **ONLY ONE** box is to be marked in each set of four boxes.

"For better grasp of the subject get yourself a copy of HIGH FLYER SERIES STD. 8 SOCIAL STUDIES, C.R.E AND I.R.E OR HIGH FLYER SERIES STD. 8 ENCYCLOPAEDIA.

Branded Eagle is a mark of genuine High Flyer Series Exams and Books. Beware of imitations.

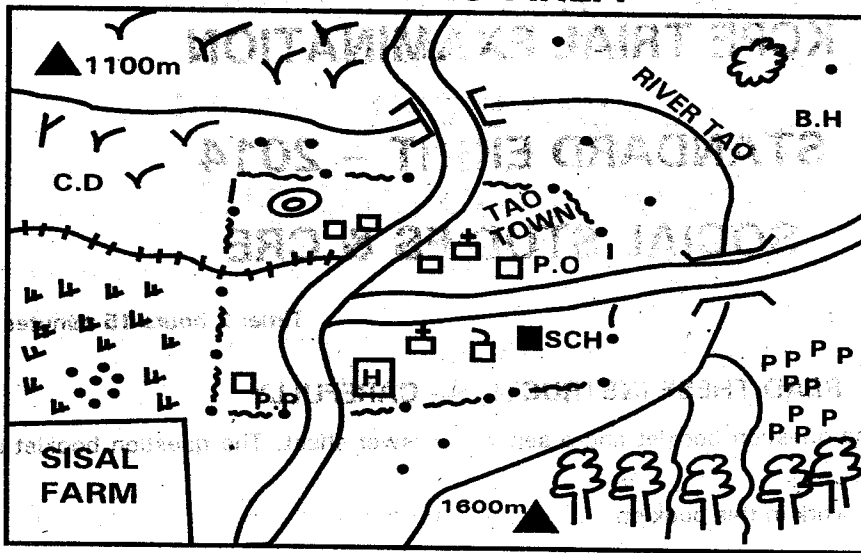


© High Flyer Series, 2014

Tel. 0723 499860

TURN OVER

TAO AREA



KEY

	— TARMAC ROAD		B.H — BOREHOLE
	— MURRAM ROAD		P.P — POLICE POST
	— GRASS		P.O — POST OFFICE
	— SETTLEMENTS		SCH — SCHOOL
	— QUARRY		C.D — CATTLE DIP
	— HILL		H — HOSPITAL
	— FACTORY		— CHURCH
	— TOWN BOUNDARY		— PERMANENT BUILDINGS
	— RAILWAY LINE		PPPPP —
	— SCRUB		

Use the map of Tao area to answer questions 1 - 7

1. Which of the following parts of Tao area is likely to be at the lowest altitude?
 - A. The area where the sisal farm is located
 - B. The area around the cattle dip
 - C. The forested area
 - D. The area where the borehole is located
2. What is the direction of the borehole from the sisal farm?
 - A. North East
 - B. North West
 - C. South West
 - D. South East
3. The approximate length of the Murram road in Tao area is _____
 - A. 15.2km
 - B. 7.2km
 - C. 10.2km
 - D. 4.2km

4. Which of the following functions of towns is NOT part of Tao town?
 - A. Industrial
 - B. Recreational
 - C. Tourism
 - D. Religion
5. Three of the following economic activities are carried out in Tao area except one. Which one is it?
 - A. Livestock keeping
 - B. Transportation
 - C. Crop farming
 - D. Fishing
6. Why does pyrethrum farming succeed in the area to the South Eastern part of Tao area?
 - A. There is a forest in the South Eastern part of the map
 - B. The area has a low altitude
 - C. The area receives adequate rainfall
 - D. There is a major river in the area

7. Three of the following statements are true of the area covered by map. Which one is TRUE?
- All parts of Tao area receive heavy and reliable rainfall
 - All parts of Tao area receive very low rainfall
 - People living in Tao town belong to two religions
 - Land in Tao area slopes towards the North Western direction
8. In some parts of Africa, the coastline stretches outwards into oceans to form features known as _____.
- Bays
 - Capes
 - Estuaries
 - Deltas
9. The amount of water vapour that is present in the atmosphere at any one given time can be measured in the weather station by the use of one of the following instruments. Which one is it?
- Hygrometer
 - Barometer
 - Anemometer
 - Thermometer
10. Which of these was not a traditional method of observing weather among the Abagusii community in the traditional African community?
- Observing the shapes of the moon
 - Observing the behaviour of animals
 - Observing the behaviour of some plants
 - Getting records from the meteorologists
11. St Helena and Canary islands are located in _____.
- The Mediterranean sea
 - The Pacific ocean
 - The Indian ocean
 - The Atlantic ocean
12. Which of these countries lies to the East of Zambia?
- Namibia
 - Malawi
 - Botswana
 - Gabon
13. The following are countries found in Africa
- Western Sahara
 - Mali
 - Libya
 - Egypt
- What do the above countries have in common?
- They are all located in Western Africa
 - They are all located in Southern Africa
 - They are all crossed by the tropic of cancer
 - They are all crossed by the Greenwich Meridian

14. The following plateaus are found in Africa
- Fouta Djallon
 - Bie
 - Jos
 - Bandiagara
- Which of the four plateaus is found in Nigeria?
- (i)
 - (ii)
 - (iii)
 - (iv)
15. One of these sets has rivers that drain into the Atlantic Ocean. Which one is it?
- River Juba, River Shebelli and River Ruvuma
 - River Cunene, River Volta and River Orange
 - River Athi, River Nile and River Kagera
 - River Malagarasi, River Cunene and River Limpopo
16. Lake Chilwa, Lake Bangweulu and Lake Chad were all formed as a result of _____.
- Down warping
 - Volcanicity
 - Volcanic action
 - Faulting
17. Which of these statements is NOT true of volcanic soils?
- They are red in colour
 - They are found on the slopes of mountains
 - They are deep, fertile and well drained
 - They are mainly found in the coastal plains
18. One of these mountains has synclines and anticlines. Which one is it?
- Mount Moroto
 - Mount Pare
 - The Atlas mountains
 - Mount Ruwenzori
19. Three of the following ocean currents causes rainfall to the areas near the coastline. Which one does not?
- Equatorial Guinea current
 - Mozambique current
 - Benguela current
 - Somali current
20. Three of the following statements are true about the tropical climate. Which one is NOT?
- The highest temperatures are experienced when the sun is overhead
 - The climatic region experiences two wet seasons and two dry seasons
 - It is also known as savanna climate
 - It is hot and wet throughout the year

21. Which of these African countries does not experience equatorial climatic conditions?

- A. Botswana B. Cameroon
C. Gabon D. Congo

22. Tropical rainforests of Africa have the following characteristics except one. Which one is it?

- A. Trees have evergreen leaves throughout the year
B. Trees form a thick continuous umbrella like layer known as a canopy.
C. Most of the trees are hardwoods
D. Trees are cone-shaped and have needle like leaves

23. Labwor, Alur, Langi and Japadhola are communities classified as river Lake Nilotes. They are mainly found in one of the following Eastern African country. Which one is it?

- A. Sudan B. Uganda
C. Ethiopia D. Tanzania

24. Which of these communities consist of Cushitic speakers only?

- A. Burji, Iraqw and Sandawe
B. Nubians, Dahalo and Aramanik
C. Ogaden, Baggara and Tigre
D. Amhara, Nubians and Rendille

25. One of these communities had a settlement at Pubungu-Pakwach in northern Uganda during their migration into Eastern Africa. Which one is it?

- A. Nandi B. Elgeyo Marakwet
C. Lup D. Pokomo

26. The largest language group in West Africa is the _____.

- A. Nilo Saharan
B. Kwa group.
C. Voltaic group
D. West Atlantic group

27. Kalahari, Namib, Ogaden and Chalbi regions have one thing in common. It is that _____.

- A. they are all located to the north of the equator.
B. they are all located to the south of the equator.
C. they are sparsely populated.
D. they are densely populated.

28. The following describes a community found in Africa

- (i) They migrated from Holland and settled in South Africa
(ii) They speak a language known as Afrikaan

(iii) They founded the Orange Free state and Transvaal in South Africa

The people described above are the _____.

- A. Boers/ B. Khoisan
C. Coloured D. Xhosa

29. One characteristic of the German population is that _____.

- A. most of the people live in rural areas.
B. there are few births and deaths.
C. most of the people are aged twenty five years and below.
D. the dependency ratio is very high.

30. We can manage slow population growth through three of the following ways except one. Which one is it?

- A. Improving on food nutrition
B. Improving security for all people living in the society
C. Encouraging people to marry when they are old
D. Giving incentives for young couples to have children

31. Which pre-historic site is CORRECTLY matched with the country where it is located?

- A. Chemeron – Tanzania
B. Ntusi – Ethiopia
C. Kanapoi – Kenya
D. Kalambo – Rwanda

32. Which theory of human origin concludes that human beings developed from simple living things to their current complex state?

- A. Creation theory
B. Evolution theory
C. Mythical theory
D. Historical theory

33. Which of these types of marriages is conducted by a religious official known as a kadhi?

- A. Hindu marriage
B. Muslim marriage
C. Christian marriage
D. Customary marriage

34. All the following are likely to be members of the school committee in a public primary school in Kenya except?

- A. Members representing the school sponsor
B. Members representing classes
C. The head teacher
D. The local district commissioner

35. Three of the following facts about Perkerra irrigation scheme are true. Which one is NOT?

- A. The scheme lies on the floor of the Rift Valley
- B. Watermelons, cucumber and onions are some of the crops grown in the scheme
- C. Furrow irrigation method is used in the scheme
- D. The source of water for the scheme is River Nyamindi

36. Farmers in Netherlands are able to grow crops throughout the year mainly because _____

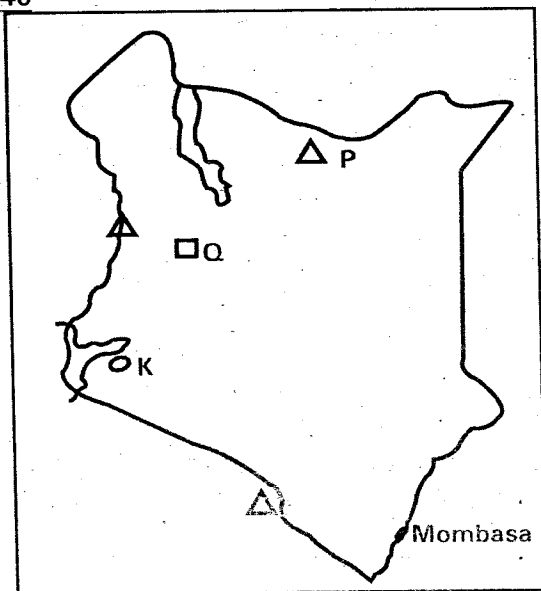
- A. the crops are mainly grown in polders.
- B. the crops are mainly grown in the highlands.
- C. the crops are planted by use of machines.
- D. the farmers mainly make use of green houses.

37. The most important mineral export in Kenya is _____

- A. Mined at Kariandusi near Gilgil
- B. Mined at Kimwarer in Kerio Valley
- C. Mined through a method known as dredging
- D. Mined through the open cast method

Use the map of Kenya to answer questions 38 -

40



38. The hills located at the point marked P on the map are known as the _____

- A. Shimba hills
- B. Homa hills
- C. Cherangani hills
- D. Hurri hills

39. Three of the following are uses of the mineral mined at the place marked Q on the map. Which one is NOT?

- A. It is used in making heat insulators for furnaces in factories
- B. It is used in making cans for storing perfumes
- C. It is used in making non-stick cooking pots and pans
- D. It is used in the production of sulphuric acid that is used in car batteries

40. The tourist attraction site at the place marked K on the map is known as

- A. Nasalot National Reserve
- B. Arawale National Reserve
- C. Ruma National Park
- D. Oldonyo Sabuk National Park

41. The following are exports of an Eastern African country

- (i) Tea
- (ii) Cotton
- (iii) Diamond
- (iv) Cashew nuts
- (v) Tobacco
- (vi) Cloves

The country likely to export the above products is _____

- A. Uganda
- B. Kenya
- C. Tanzania
- D. Ethiopia

42. The Volta river scheme in Ghana was initiated by one of the following African leaders. Who is it?

- A. Abdel Nasser
- B. Kwame Nkrumah
- C. J.B Danquah
- D. Nnandi Azikiwe

43. Which of these species of trees are mainly found in planted forests?

- A. Pine, eucalyptus and cedar
- B. Iroko, obeche and mahogany
- C. Ebony, rosewood and rubber
- D. Camphor, ebony and sapele

44. Three of the following towns in Nigeria have major oil refineries. Which one is NOT?

- A. Port Harcourt
- B. Warri
- C. Kaduna
- D. Calabar

45. ECOWAS trading bloc has the following objectives except one. Which one is it?

- A. Promoting trade and economic development among member states
- B. Promoting co-operation among member states

- C. Increasing taxes paid on goods produced in the region in order to increase revenue for member states
- D. To promote peace and security in the region
46. Which of these tourist attractions of Africa is found in the Northern part of Africa?
- A. Olduvai pre-historic site
- B. The slave fort of Goree island
- C. The Kruger national park
- D. Ruins at the ancient city of Thebes
47. During the Trans-Saharan trade, there were goods that were brought by the traders from the North. These goods included the following except
- A. Salt
- B. Cloth
- C. Kola nuts
- D. Horses
48. The ancient kingdom of Old Ghana that was established in West Africa by the Soninke people lay between _____.
- A. River Senegal and River Niger
- B. River Nile and Niger
- C. River Niger and Congo
- D. River Benue and River Congo
49. The following are reasons for scramble and partition of Africa by European nations. Which among them is the LEAST reason?
- A. European powers wanted raw materials such as gold, iron ore and copper for their industries
- B. Europeans wanted to establish and safeguard markets for their manufactured goods
- C. European powers wanted areas they could invest their surplus capital
- D. European powers wanted to stop slave trade and promote western education
50. Which of these countries was formerly colonized by the Italian government?
- A. Ethiopia
- B. Libya
- C. Nigeria
- D. Djibouti
51. One of these statements about the social organization of the traditional San community is NOT true. Which one is it?
- A. They painted pictures of animals in caves
- B. They were organized in clans under a strong chief
- C. They recognized the praying mantis as Gods symbol on earth
- D. They lived communally in hunting bands
52. In order to avoid clashes with the French, Samori Toure signed a peace treaty with them at
- A. Kankan
- B. Bissandugu
- C. Farandugu
- D. Sanankoro
53. Those assimilated in the French colonies had to fulfil the following conditions except one. Which one is it?
- A. They had to speak the French language
- B. They had to give up the African culture
- C. They had to be monogamous
- D. They had to be wealthy
54. Which of these sets of countries achieved their independence in 1975?
- A. Nigeria and Togo
- B. Angola and Mozambique
- C. Benin and Niger
- D. Malawi and Swaziland
55. In Kenya a member of the National assembly may lose the seat as a result of _____.
- A. Failing to debate regularly in parliament
- B. Disagreeing with the party leader
- C. Failing to visit his or her constituency regularly
- D. Missing eight continuous sittings in the National Assembly
56. In which of the following years was a national referendum on the constitution held in Kenya?
- A. 2005
- B. 2004
- C. 2003
- D. 2007
57. Three of the following are similarities between Kenya and Swaziland. Which one is NOT?
- A. In both countries there are courts of law
- B. In both countries the head of state is also the head of the government
- C. In both countries the head of state is the commander in chief of the armed (defence) forces
- D. The multi party system of government is active in both countries
58. Under the constitution of Kenya, the National Assembly consists of the following except?
- A. Two hundred and ninety members elected by registered voters
- B. Forty seven elected women
- C. Sixteen women nominated by political parties
- D. Twelve members nominated by political parties
59. The Court of Appeal of Kenya is headed by _____.
- A. The president of the Court of Appeal
- B. A principal judge who is elected by other judges

- C. The chief Justice
- D. The deputy chief justice

60. Mama Fatuma has joined the 'Double Luck Women's Group.' According to the constitution of Kenya she is enjoying
- A. Freedom of movement
 - B. Freedom of association
 - C. Right to information
 - D. Freedom of expression

CHRISTIAN RELIGIOUS EDUCATION

61. From the incident when God punished the people at the time of Noah, we learn to

- A. Offer sacrifices to God
- B. Built Arks in order to be ready for the floods
- C. Be righteous in the eyes of God
- D. Give good advice to the youth

62. Which of the following was NOT a consequence of sin in the Garden of Eden?

- A. The soil was put under a curse
- B. Life span of human beings was increased
- C. Death sentence was passed upon all people
- D. The woman was to be subject to her husband

63. Three of the following statements are true about Dinah the daughter of Jacob?

- A. She was the daughter of Leah and Jacob
- B. She was raped by Shechem
- C. Her brothers revenged by killing Shechem his father and other men
- D. Her husband was called Hamor

64. Jacob built an altar for God in one of the following places. Which one is it?

- A. Gilgal
- B. Bethel
- C. Goshen
- D. Bethany

65. Naboth refused to sell his vineyard to King Ahab because

- A. it was his family's ancestral land.
- B. he had been warned not to sell it by prophet Elijah.
- C. he had been warned not to sell it by prophet Elisha.
- D. the king had offered very little money for the garden.

66. "Leave your country, your relatives and your father's home and go to a land that I am going to show you" To whom were these words spoken to?

- A. Noah
- B. Esau
- C. Abraham
- D. Moses

67. By taking Bathsheba the wife of Uriah and committing adultery with her king David broke

- A. The fifth commandment of God
- B. The third commandment of God
- C. The sixth commandment of God
- D. The seventh commandment of God

68. Israelites had to smear blood on the doorposts during the Passover night in order to

- A. Show their innocence
- B. Show their haste
- C. Mark their houses
- D. Make use of the red paint

69. Who among the following became a priest among Israelites during the Passover?

- A. Samuel
- B. Joshua
- C. Bezalel
- D. Aaron

70. Which prophet had prophesied that the Messiah would proclaim liberty to the captives?

- A. Micah
- B. Isaiah
- C. Nathan
- D. Elisha

71. Three of the following facts about Zacchaeus are true. Which one is NOT?

- A. He was a rich tax collector from Jericho
- B. He climbed a sycamore tree in order to see Jesus
- C. He promised to give a quarter of his belonging to the poor after his experience with Jesus
- D. He promised to pay back four times to those whom he had cheated

72. "Certainly he was a good man." These words from Luke 23:47 were spoken by

- A. The army officer
- B. The High Priest
- C. The Roman Governor
- D. Mary Magdalene

73. The following were sons of Jacob except one. Who is it?

- A. Reuben
- B. Simeon
- C. Levi
- D. Eliab

74. Which of the following was a message of John the Baptist to the soldiers?

- A. Do not accuse anyone falsely
- B. Take from people only what is legal
- C. Do not arrest criminals
- D. Be honest to your master

75. The shepherds learnt of the birth of Jesus from

- A. The wise men
- B. Teachers of the law

- C. An angel
D. Joseph
76. "Father in your hands I place my spirit."
Jesus said these words during _____
A. his baptism.
B. his crucifixion.
C. his arrest.
D. his transfiguration.
77. King Saul was the first King of Israel. He died during the war with _____
A. Jebusites B. Amalekites
C. Hittites D. Philistines
78. Saint James teaches that for a Christian's faith to be meaningful it should be accompanied
A. By wealth
B. By deeds
C. By being charitable
D. By being honest
79. The experience of Jesus and the Samaritan women at Jacob's well teaches Christians to avoid _____
A. Nepotism B. Ethnicity
C. Corruption D. Dishonesty
80. According to Luke 22:46-49 Jesus reminded his disciples to pray so that they do not get into temptations. This took place
A. At the Mount of Olives
B. In the temple of Jerusalem
C. During the last supper
D. During the sermon on the mount
81. How many people were added to the group of believers after Peter delivered a sermon on the day of Pentecost?
A. One thousand B. Three thousand
C. Four thousand D. Five thousand
82. Which of these events in the life of Jesus took place in the garden of Gethsemane?
A. He was transfigured
B. He was crucified
C. He ascended to heaven
D. He was strengthened by an angel
83. The activities of Christians in the early church after Jesus had ascended are recorded in one of the following books. Which one is it?
A. Mathew B. Revelation
C. Zechariah D. Acts
84. The woman who had a bleeding problem for twelve years was healed by Jesus mainly because _____
A. she had suffered for long.
B. she had a lot of faith.
C. she was related to the mother of Jesus.
D. she knelt before Jesus.
85. Which of the following was NOT a way of reconciling with God in African traditional society?
A. Sprinkling blood of animals to the people
B. Offering prayers to ask for forgiveness
C. Visiting diviners to find God's will for the community
D. Sharing the Holy communion with all members of the community
86. One of the following is a common belief in African traditional religion and Christianity. Which one is it?
A. Marriage takes place in the spiritual world
B. The good people will be with God in heaven
C. The sinners will go to hell where they will suffer for ever
D. There is punishment for evil
87. Some traditional African communities prayed in caves mainly because _____
A. they are safe hiding places.
B. God only listens to prayers conducted in caves.
C. these places symbolize the presence of God.
D. these areas are generally cool and thus giving people comfort during prayers.
88. The church has played an important role in reducing the spread of HIV/AIDS mainly by
A. Providing voluntary counseling and testing centres
B. Providing medicine to the sick
C. Building homes for children orphaned when their parents die of HIV/AIDS
D. Enhancing youth programmes that teach on the importance of moral values
89. Which of these fruits of the Holy Spirit did Lydia have when she invited Paul and Silas to her house?
A. Faithfulness B. Self control
C. Kindness D. Humility
90. Laura was given two thousand shillings by her father. Which of the following was the BEST way to spend this money that she had been given without any conditions?
A. Buy herself a new pair of shoes
B. Organize a small party for her close friends
C. Buy food for some orphans
D. Donate the money to her school